

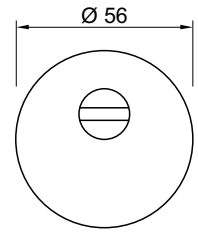
MARZO 2019



DiSEC
DEFENDS THE FUTURE

NEW LINE

DESIGN PENDING

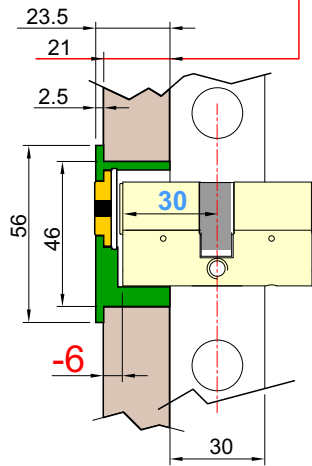


FINITURE / FINISHES

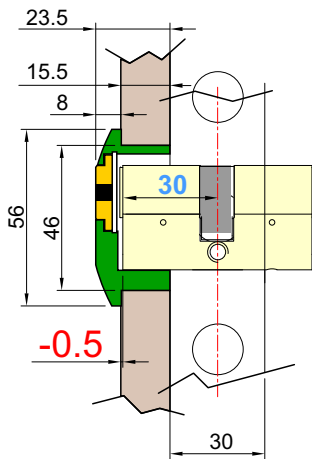
- Ⓜ Inox satinato / Stainless steel
- Ⓢ Cromo lucido / Bright Chrome
- Ⓣ Cromo satinato / Satin Chrome
- Ⓜ PVD Ottone / PVD Brass



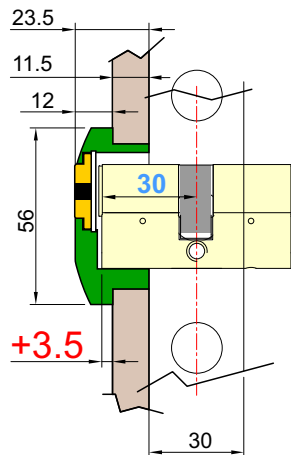
NX2R



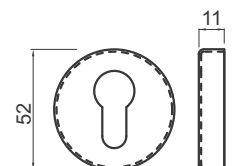
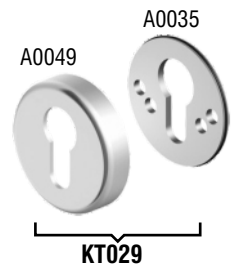
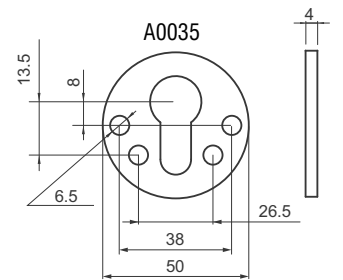
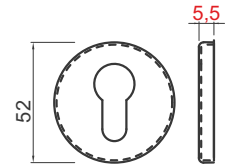
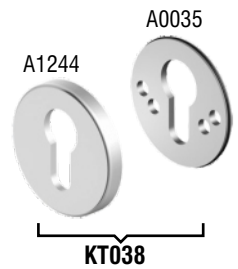
NX8R

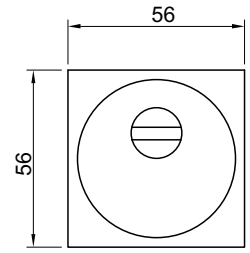


NX12R



OPTIONAL



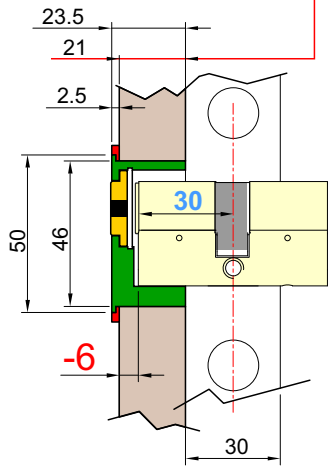


FINITURE / FINISHES

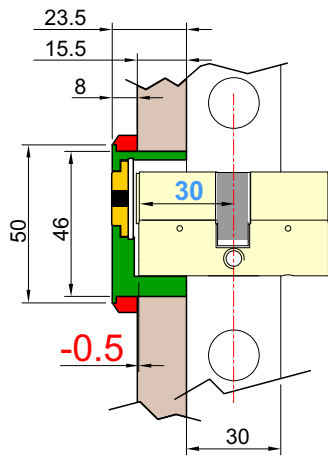
- Ⓜ Inox satinato / Stainless steel
- Ⓢ Cromo satinato / Satin Chrome
- Ⓤ Cromo lucido / Bright Chrome
- Ⓟ PVD Ottone / PVD Brass



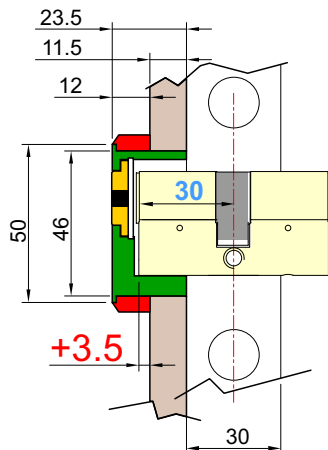
NX2Q



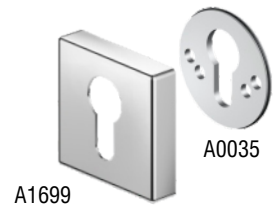
NX8Q



NX12Q



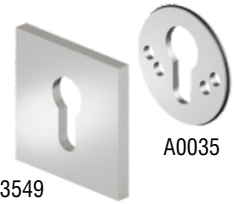
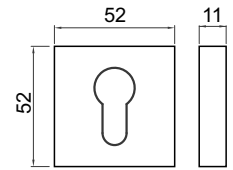
OPTIONAL



A1699

A0035

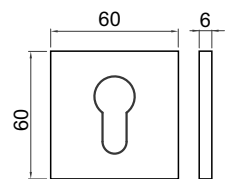
KT002



A3549

A0035

KT3549

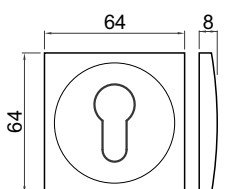


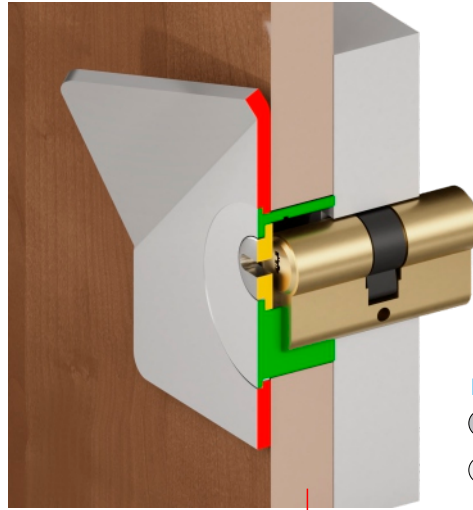
A3796

A3798

+ A0035

KT3796

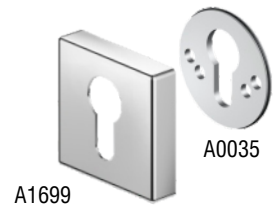




FINITURE / FINISHES

- Ⓜ Inox satinato / Stainless steel
- Ⓢ Cromo lucido / Bright Chrome
- Ⓣ Cromo satinato / Satin Chrome
- ② PVD Ottone / PVD Brass

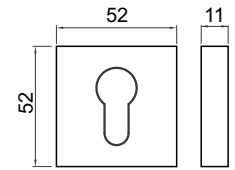
OPTIONAL



A1699

A0035

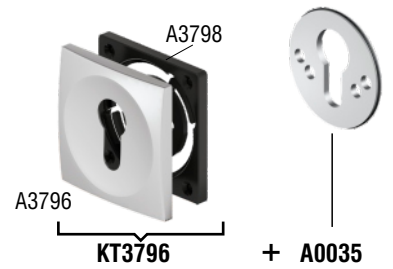
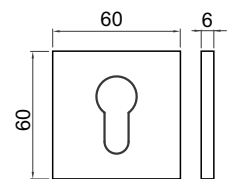
KT002



A3549

A0035

KT3549

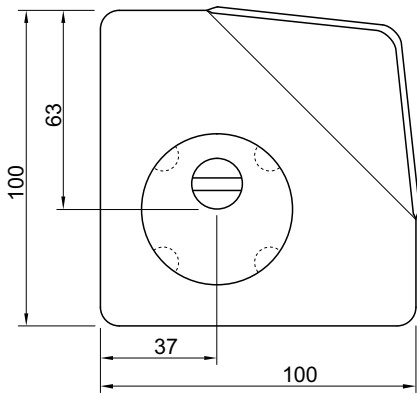
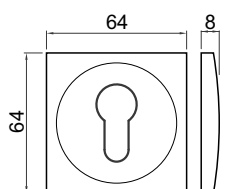


A3798

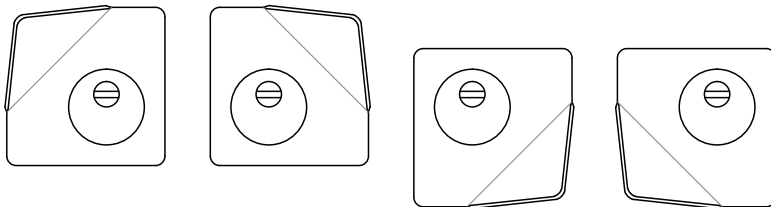
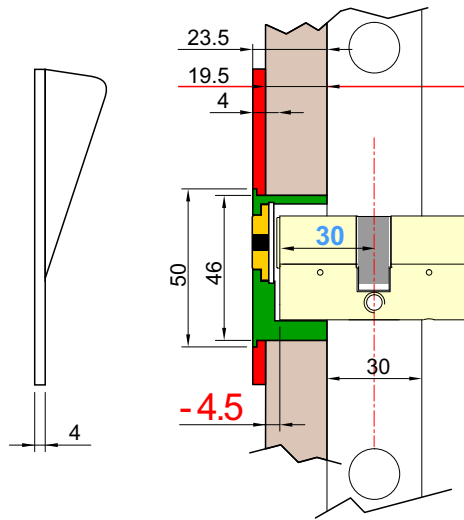
A3796

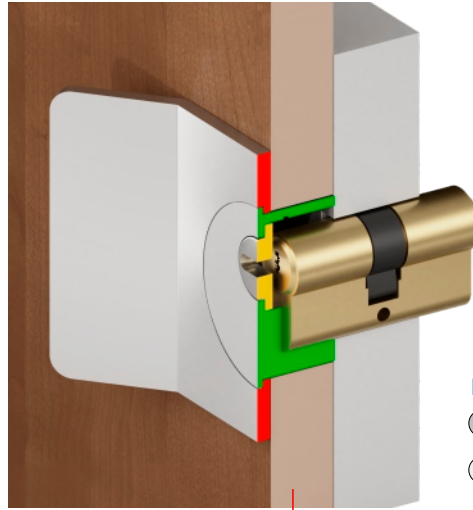
+ A0035

KT3796



NXPL24
DX/SX

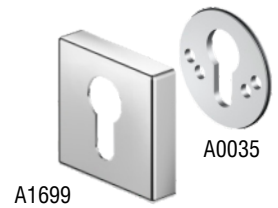




FINITURE / FINISHES

- Ⓜ Inox satinato / Stainless steel
- Ⓢ Cromo lucido / Bright Chrome
- Ⓣ Cromo satinato / Satin Chrome
- ② PVD Ottone / PVD Brass

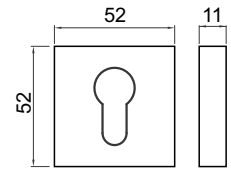
OPTIONAL



A1699

A0035

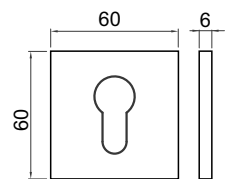
KT002



A3549

A0035

KT3549

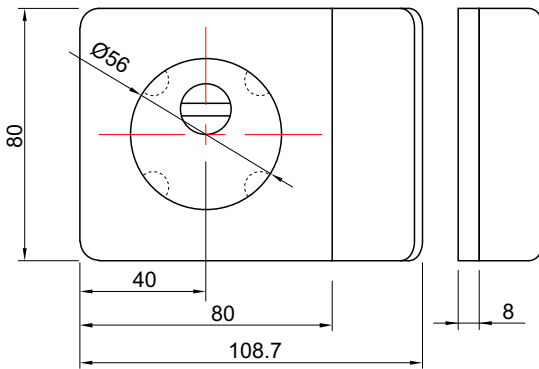
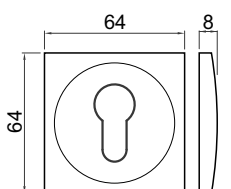


A3796

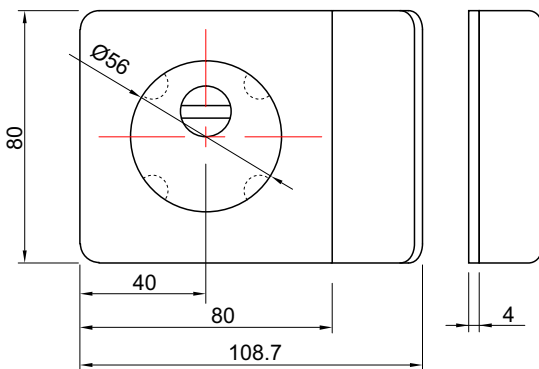
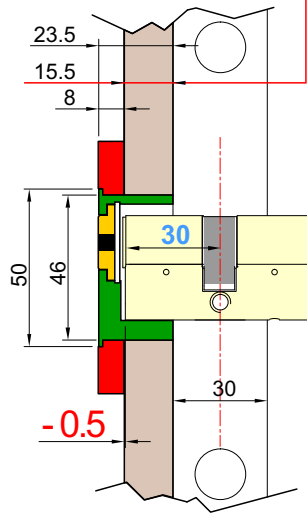
A3798

KT3796

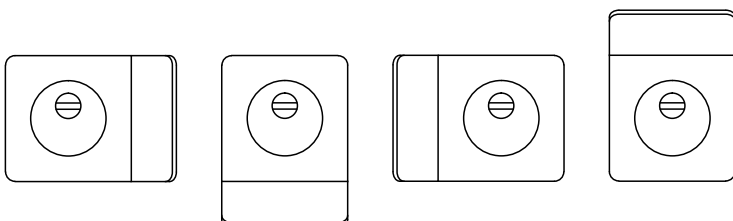
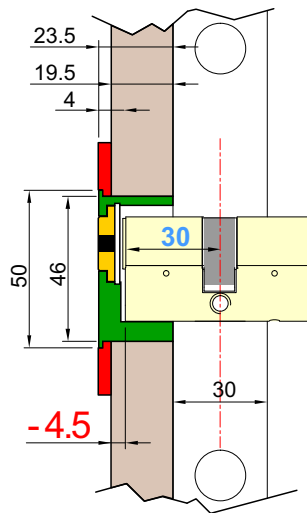
+ A0035

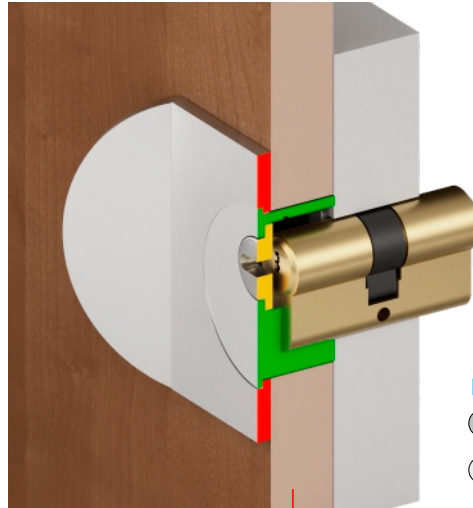


NXPL4
DX/SX



NXPL44
DX/SX

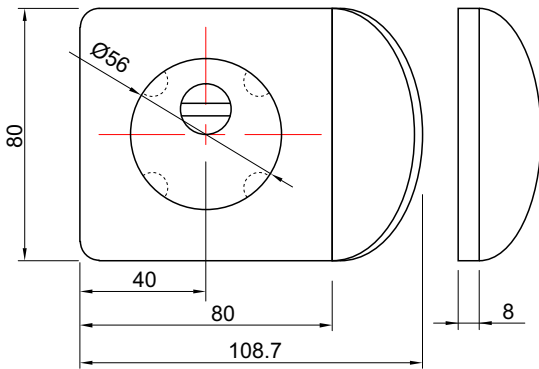




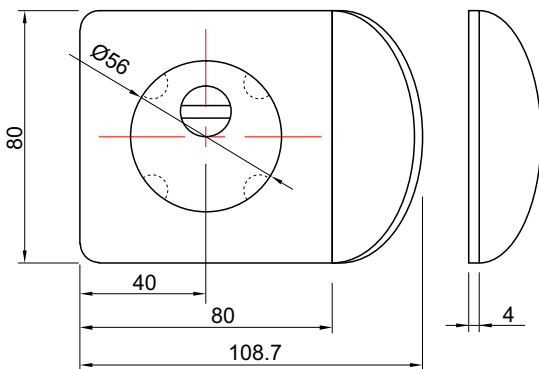
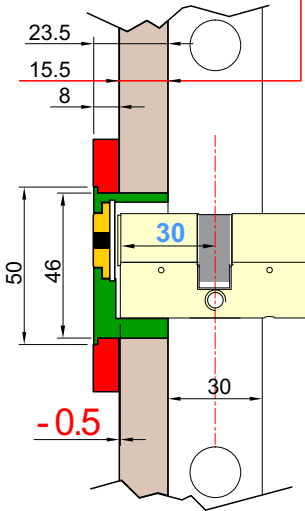
FINITURE / FINISHES

- Ⓜ Inox satinato / Stainless steel
- Ⓒ Cromo lucido / Bright Chrome
- Ⓣ Cromo satinato / Satin Chrome
- ② PVD Ottone / PVD Brass

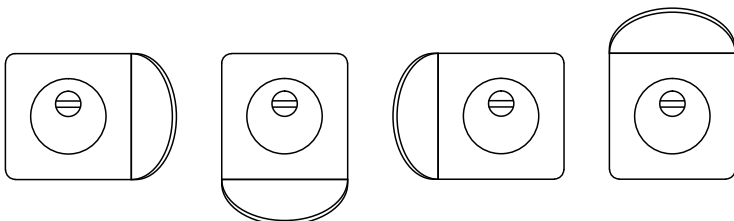
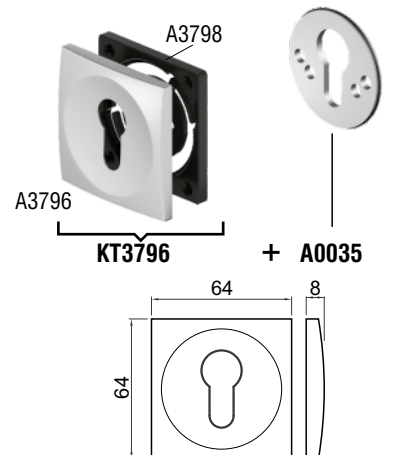
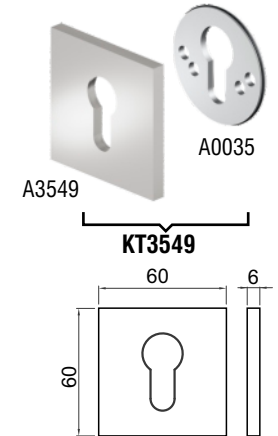
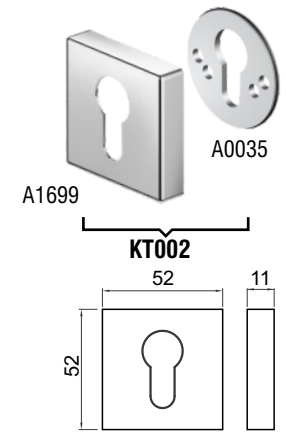
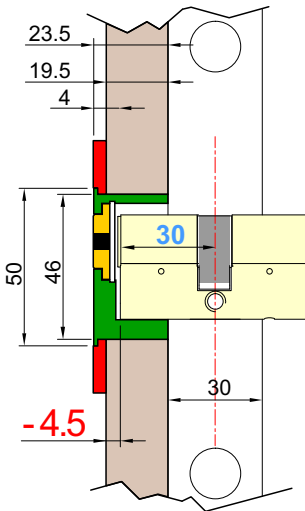
OPTIONAL

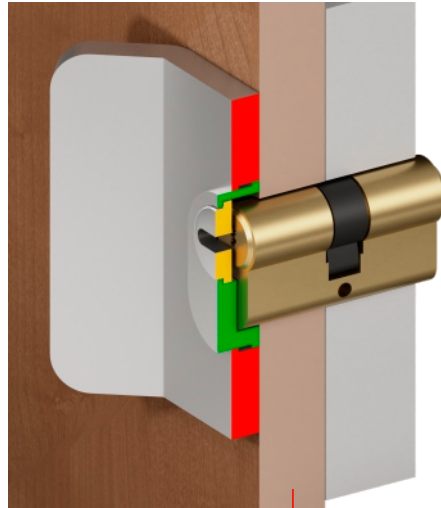


NXPL5
DX/SX



NXPL54
DX/SX

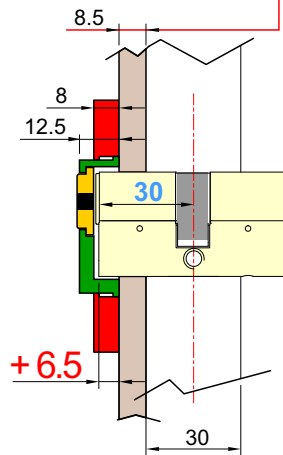
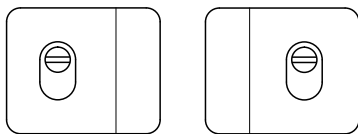
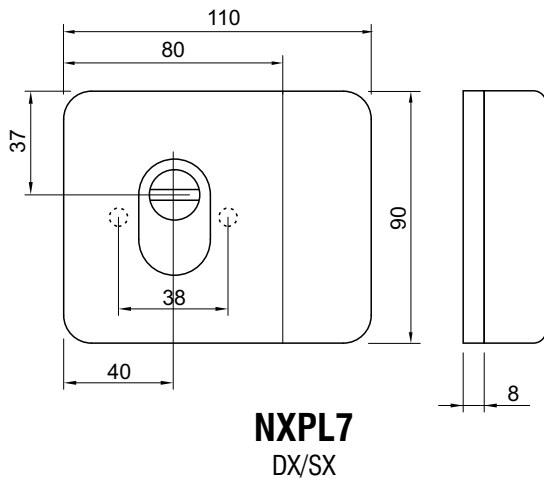
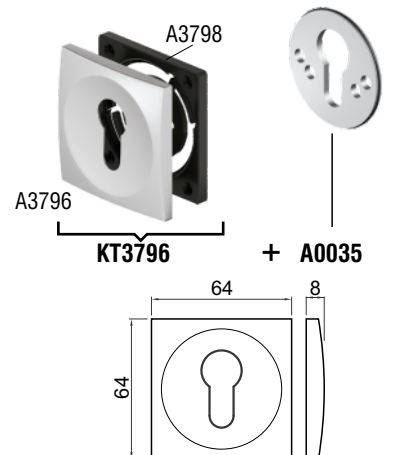
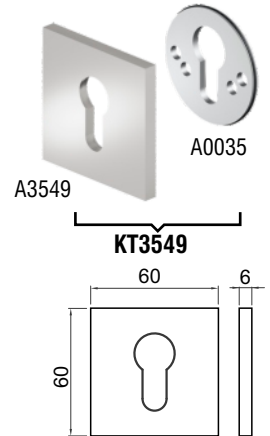
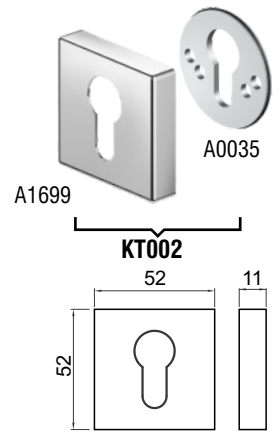


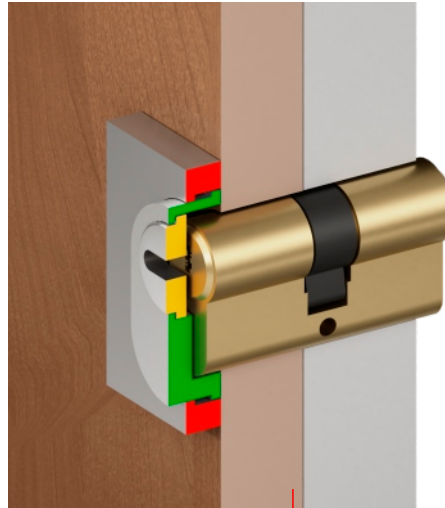


FINITURE / FINISHES

- Ⓜ Inox satinato / Stainless steel
- Ⓒ Cromo lucido / Bright Chrome
- Ⓣ Cromo satinato / Satin Chrome
- ② PVD Ottone / PVD Brass

OPTIONAL

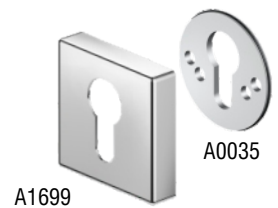




FINITURE / FINISHES

- Ⓜ Inox satinato (Stainless steel)
- Ⓒ Cromo lucido (Bright Chrome)
- Ⓣ Cromo satinato (Satin Chrome)
- ② PVD Ottone (PVD Brass)

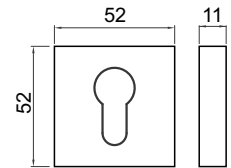
OPTIONAL



A1699

A0035

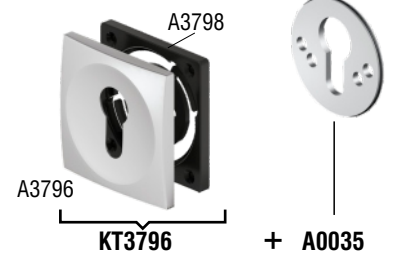
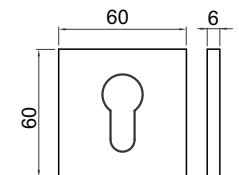
KT002



A3549

A0035

KT3549

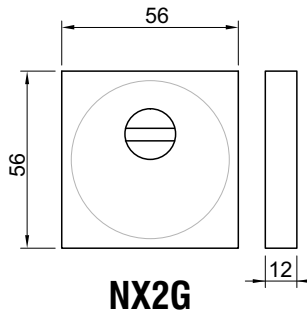
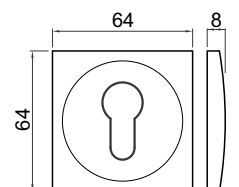


A3796

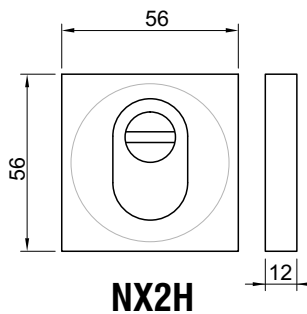
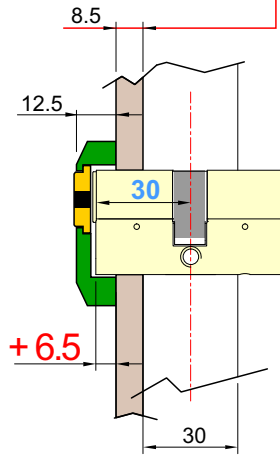
A3798

+ A0035

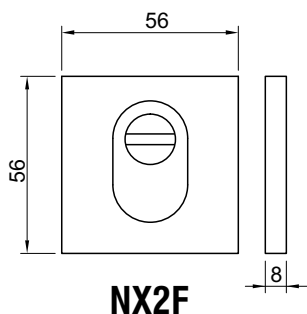
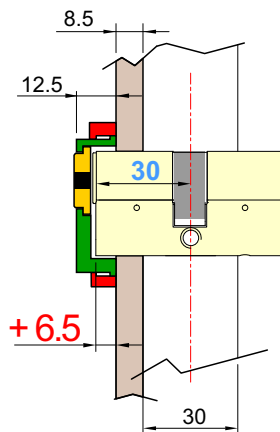
KT3796



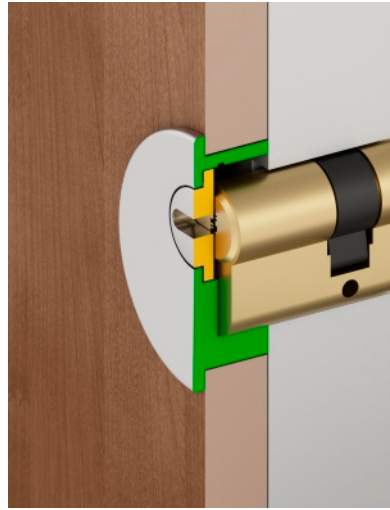
NX2G



NX2H

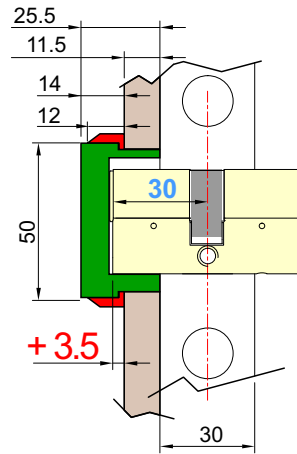
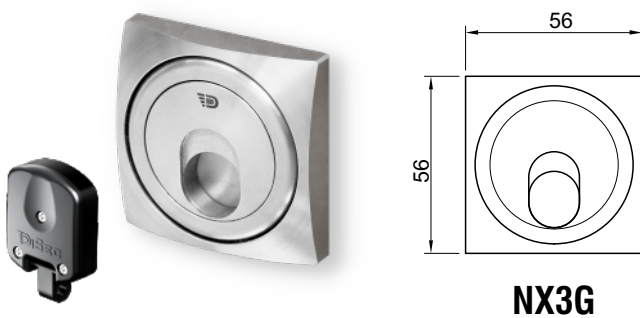
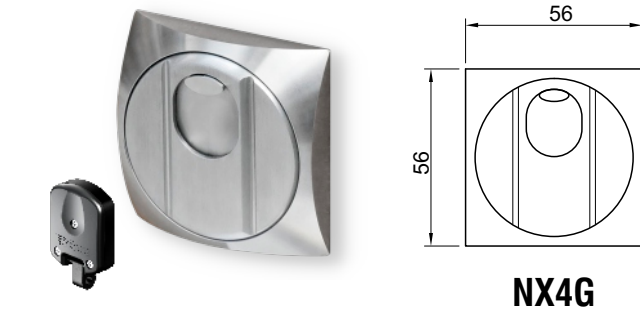
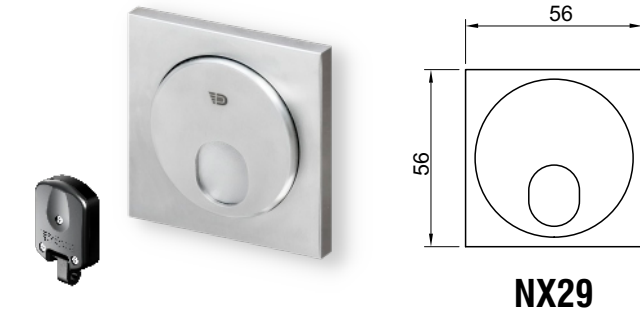


NX2F

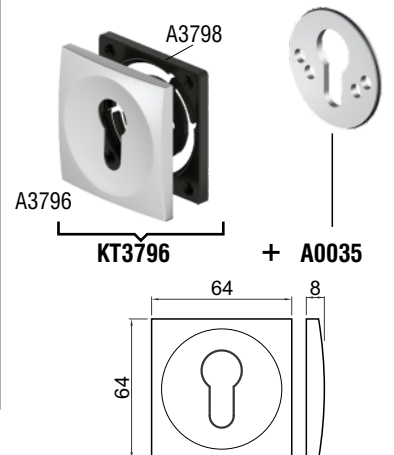
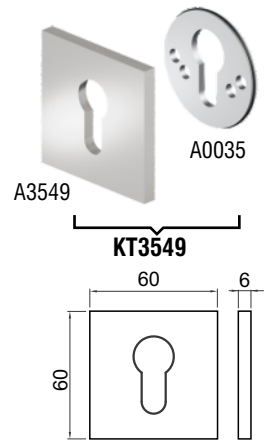
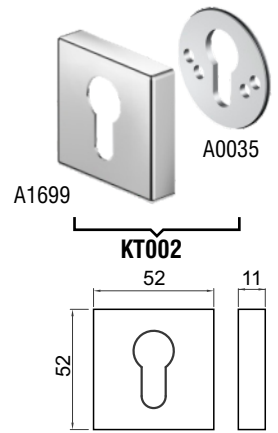


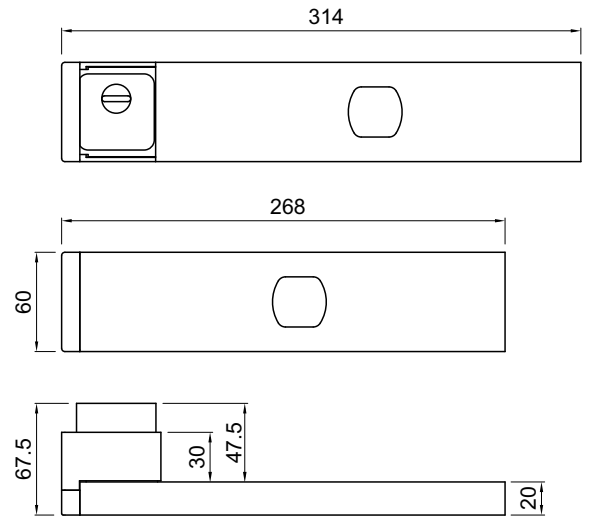
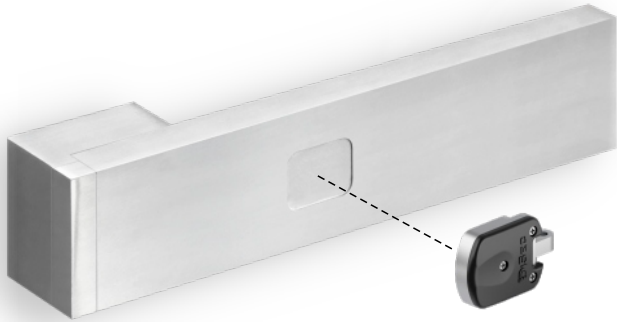
FINITURE / FINISHES

- Ⓜ Inox satinato / Stainless steel
- Ⓢ Cromo lucido / Bright Chrome
- Ⓣ Cromo satinato / Satin Chrome
- ② PVD Ottone / PVD Brass

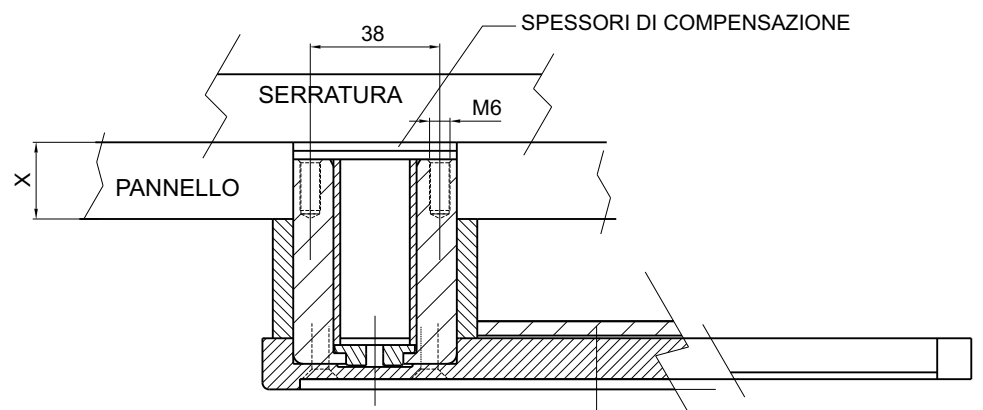
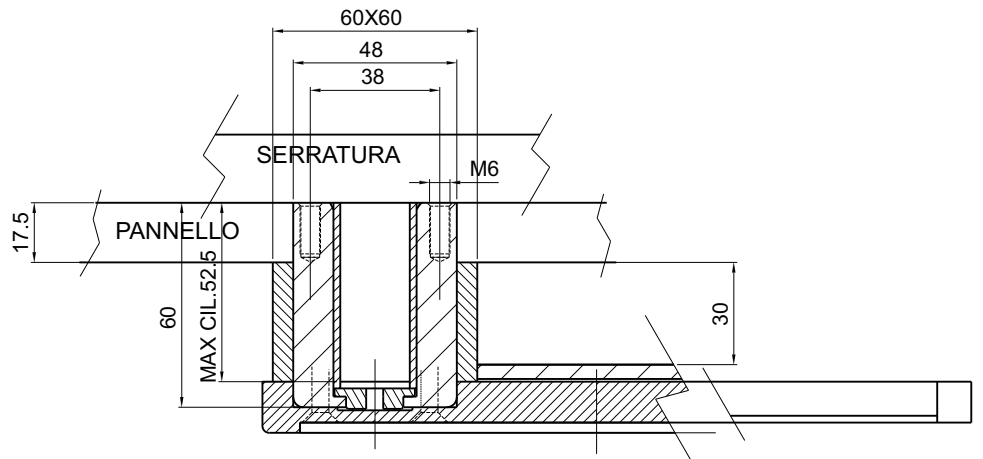
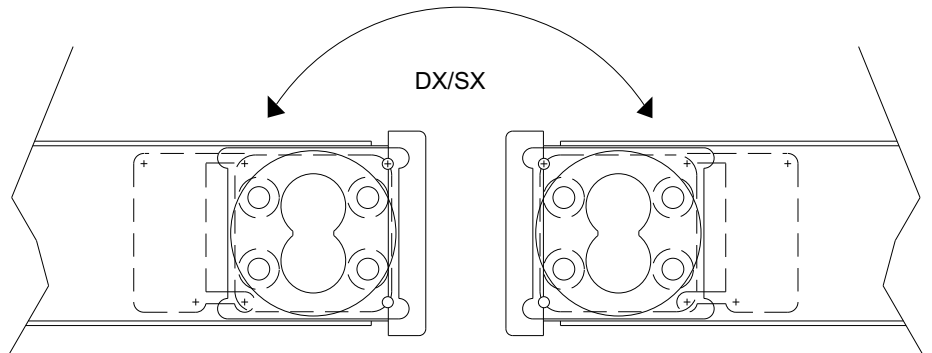
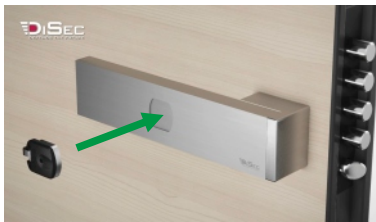


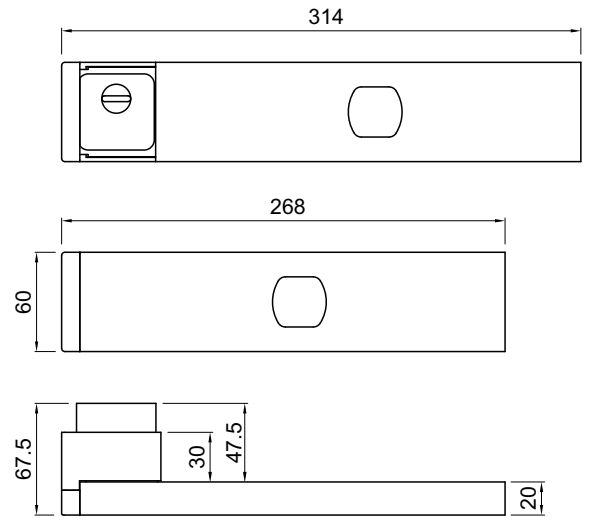
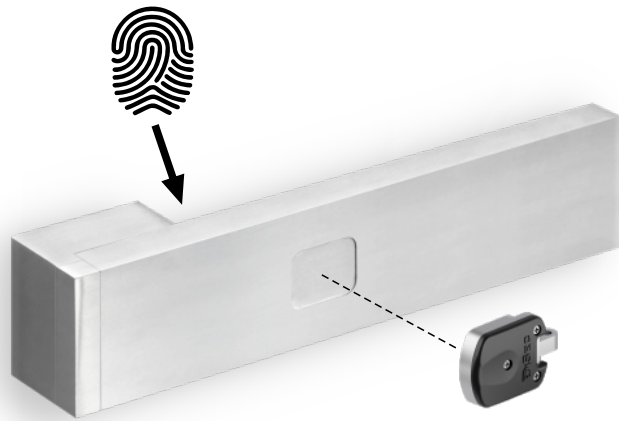
OPTIONAL



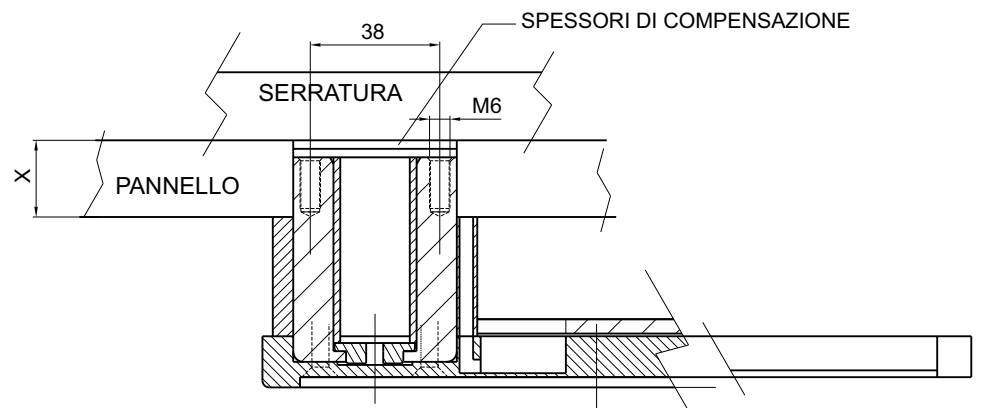
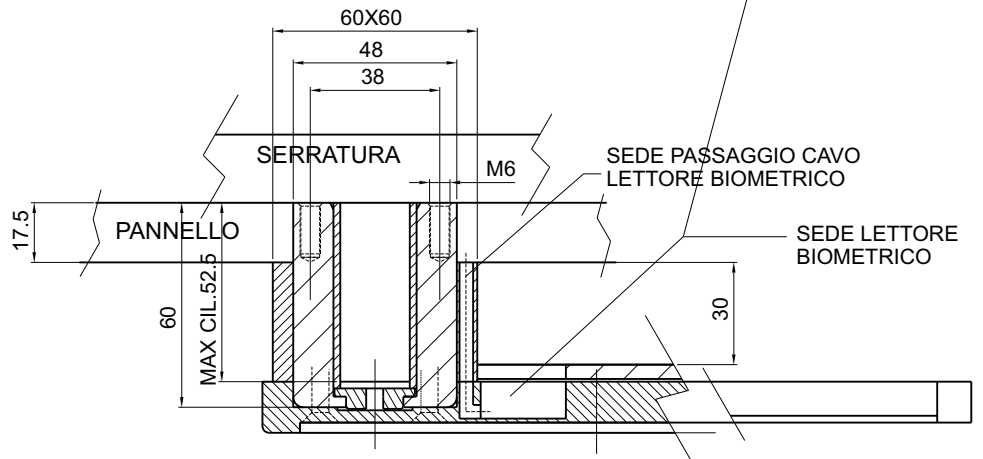
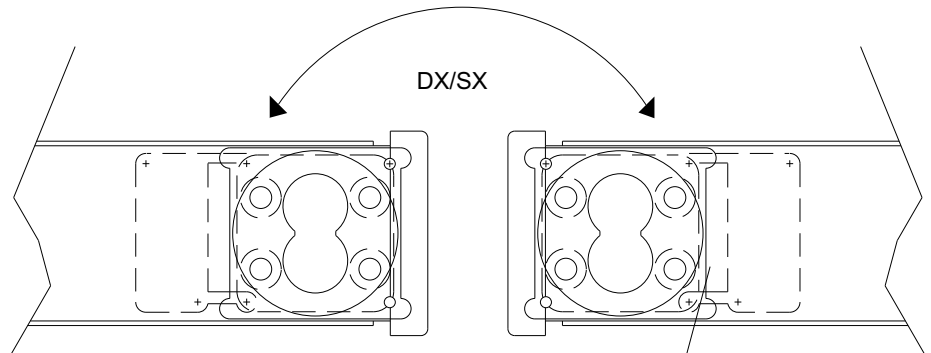


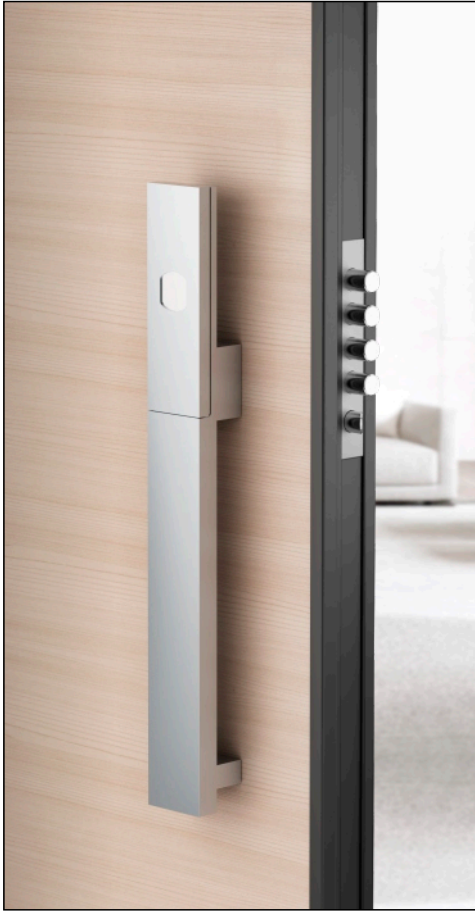
MG1300



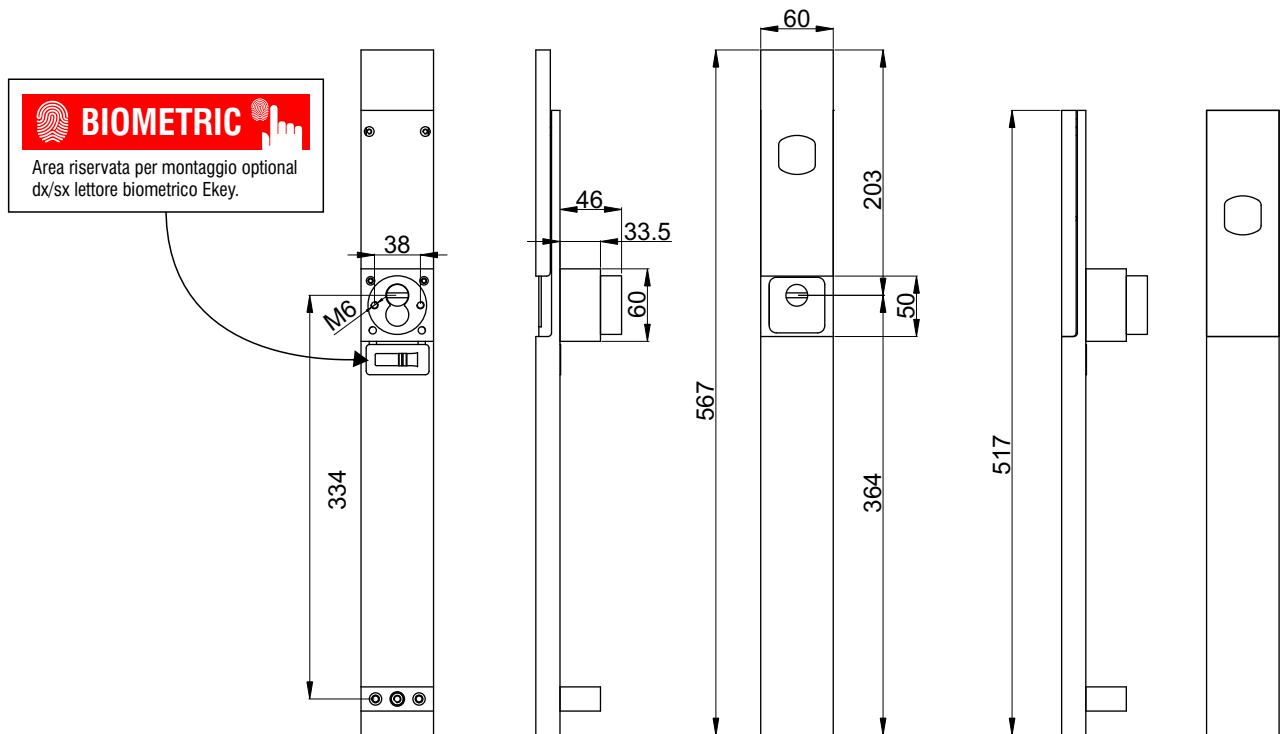


MG1300BM
MANIGLIONE
BIOMETRICO





MG1330



stainless steel solid