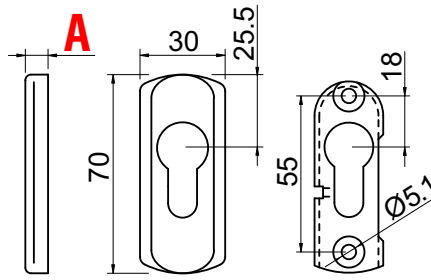
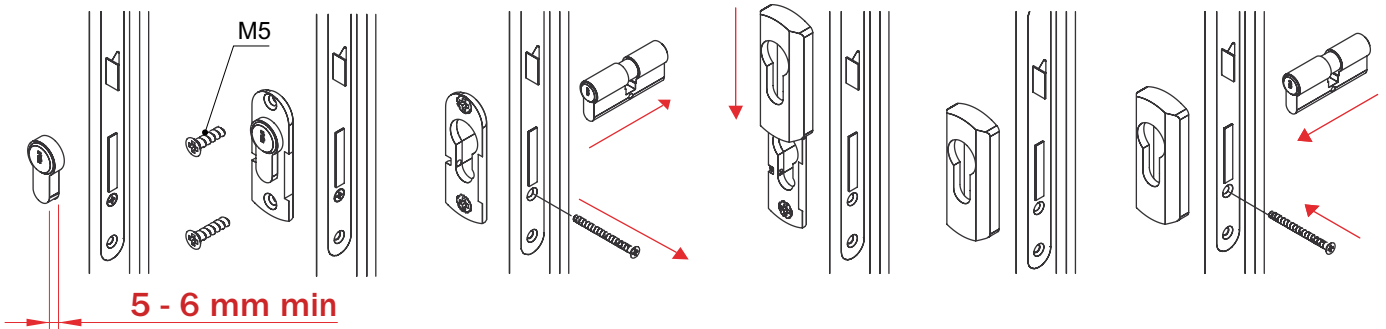




PAT. PEND.



- A = 6 mm**    **BG8000 06**
- A = 8 mm**    **BG8000 08**
- A = 10 mm**   **BG8000 10**
- A = 12 mm**   **BG8000 12**
- A = 14 mm**   **BG8000 14**



## PROTECTION FAST-UP



- |  |  |   |
|--|--|---|
| <input checked="" type="checkbox"/> <b>W</b> Bianco Ral 9010<br>White Ral 9010     | <input checked="" type="checkbox"/> <b>N</b> Nero<br>Black               | <input checked="" type="checkbox"/> <b>A</b> Champagne anodizzato<br>Anodized champagne |
| <input checked="" type="checkbox"/> <b>C</b> Cromo lucido<br>Bright Chrome         | <input type="checkbox"/> <b>8</b> PVD Nero lucido<br>PVD Bright black    | <input checked="" type="checkbox"/> <b>9</b> Oro anodizzato<br>Anodized Gold            |
| <input checked="" type="checkbox"/> <b>T</b> Cromo satinato<br>Satin Chrome        | <input type="checkbox"/> <b>T8</b> PVD Nero antracite<br>PVD Satin Black | <input checked="" type="checkbox"/> <b>2</b> PVD Ottone<br>PVD Brass                    |
| <input checked="" type="checkbox"/> <b>6</b> Argento anodizzato<br>Anodized Silver | <input checked="" type="checkbox"/> <b>B</b> Bronzo<br>Bronze            | <input checked="" type="checkbox"/> <b>L</b> Ottone lucido<br>Bright Brass              |
| <input type="checkbox"/> <b>IT</b> Inox satinato<br>Stainless steel                | <input type="checkbox"/> <b>BS</b> Bronzo satinato<br>Satin Bronze       | <input type="checkbox"/> <b>TT</b> Ottone satinato<br>Satin Brass                       |

- A = 10 mm**   **BG6400 10**
- A = 12 mm**   **BG6400 12**
- A = 14 mm**   **BG6400 14**

