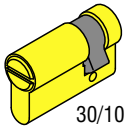


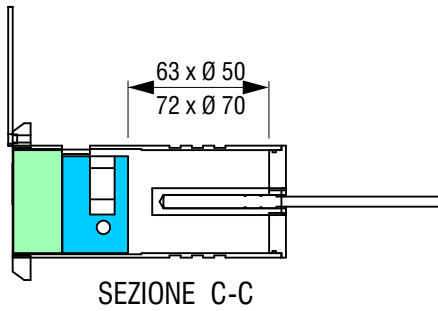
**REED SWITCH NA**  
6 VA max  
500 mA max  
140 V max

	A	B	C
cod.	mm	mm	mm
<b>MB051CHAL</b>	115	Ø 50	Ø 70
<b>MB701CHAL</b>	125	Ø 70	Ø 90

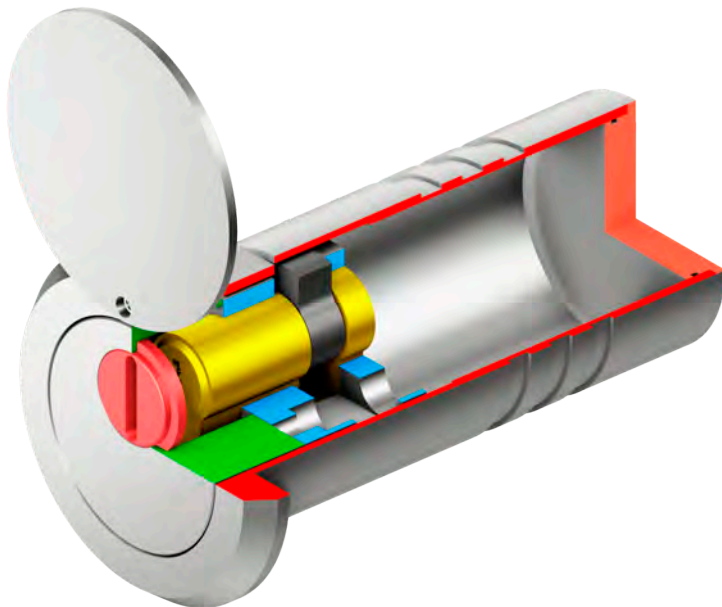
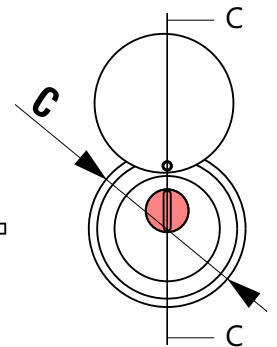
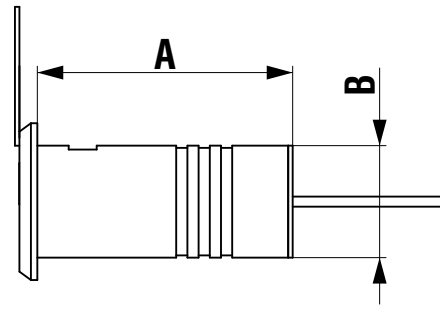
NON INCLUSO  
NOT INCLUDED  
MULTIPLE CAM



30/10

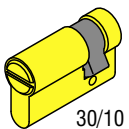


SEZIONE C-C

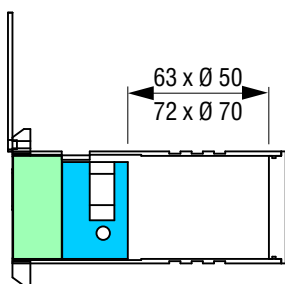


	A	B	C
cod.	mm	mm	mm
<b>MB051CH</b>	115	Ø 50	Ø 70
<b>MB701CH</b>	125	Ø 70	Ø 90

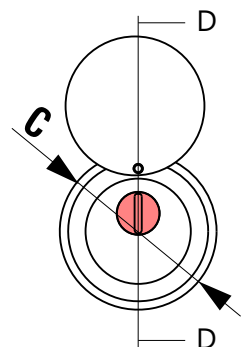
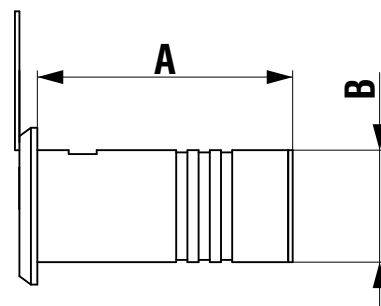
NON INCLUSO  
NOT INCLUDED  
MULTIPLE CAM

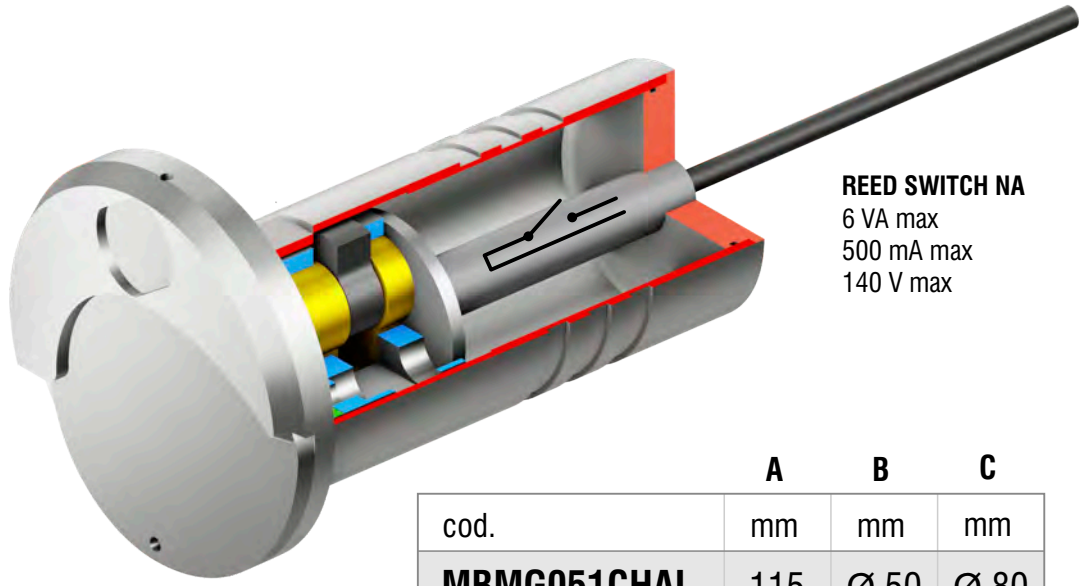


30/10

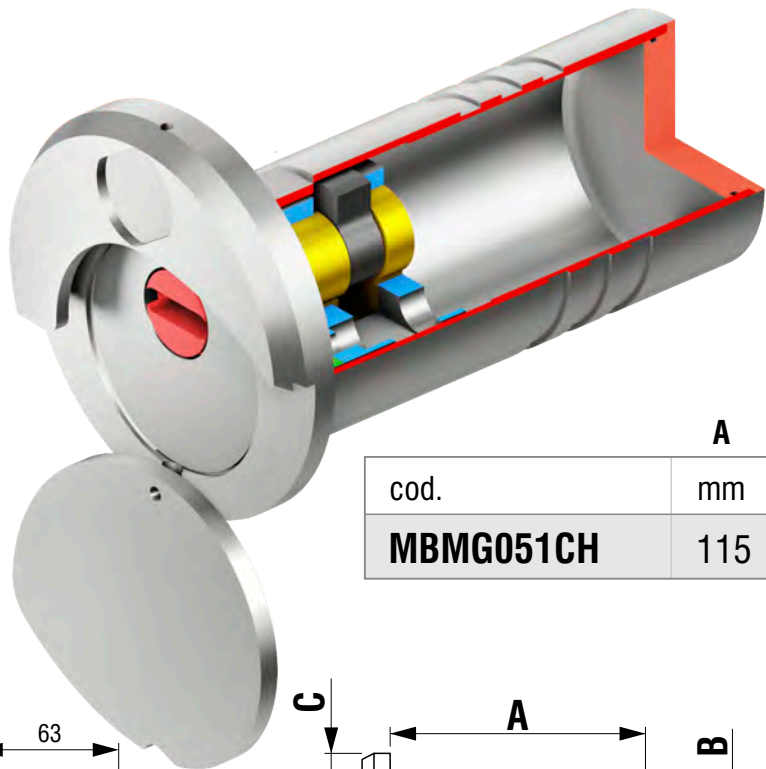
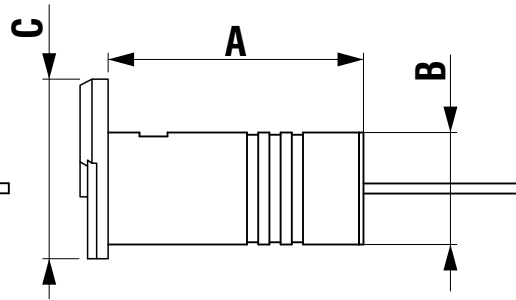
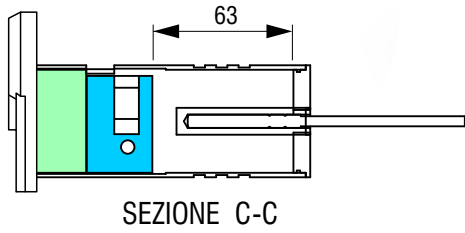


SEZIONE D-D

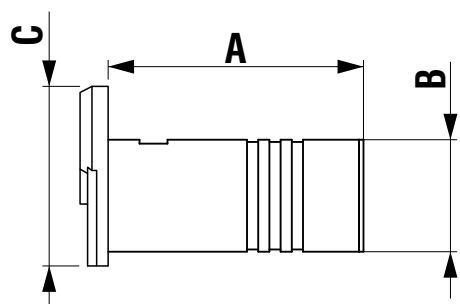
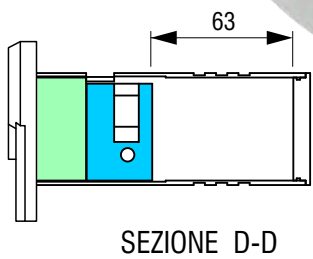


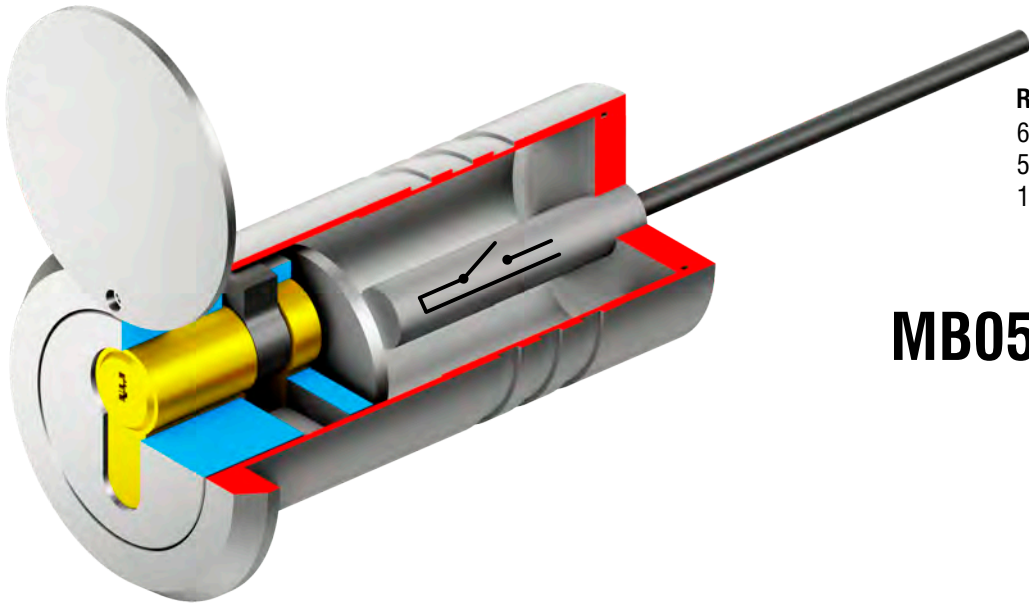


	A	B	C
cod.	mm	mm	mm
<b>MBMG051CHAL</b>	115	Ø 50	Ø 80



	A	B	C
cod.	mm	mm	mm
<b>MBMG051CH</b>	115	Ø 50	Ø 80

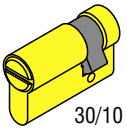




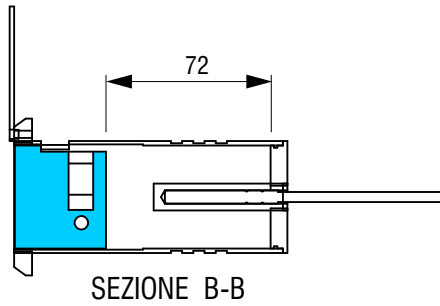
**REED SWITCH NA**  
6 VA max  
500 mA max  
140 V max

## MB052CHAL

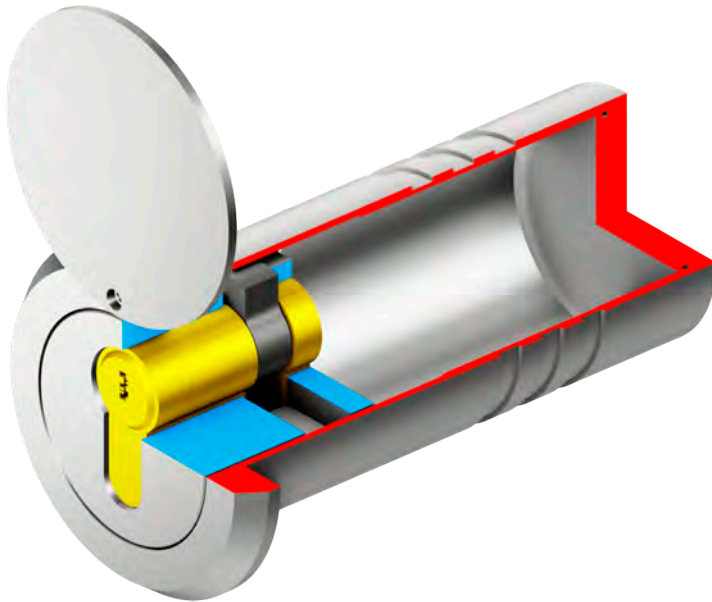
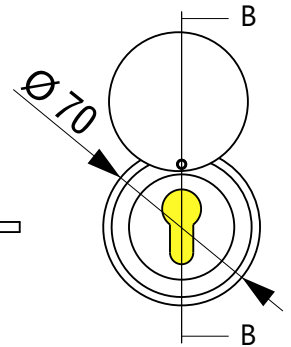
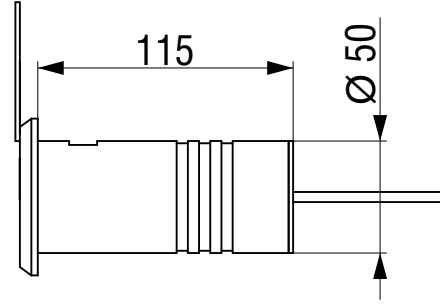
NON INCLUSO  
NOT INCLUDED  
MULTIPLE CAM



30/10

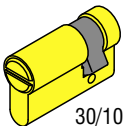


SEZIONE B-B

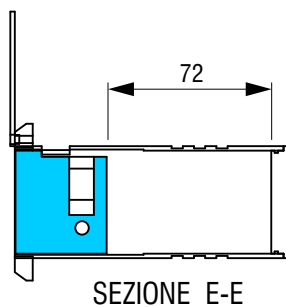


## MB052CH

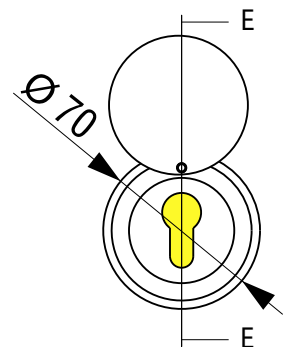
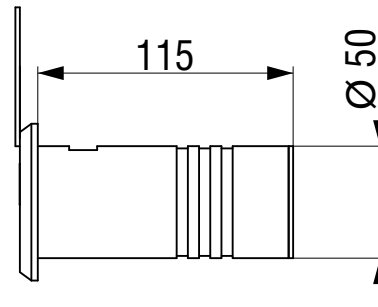
NON INCLUSO  
NOT INCLUDED  
MULTIPLE CAM

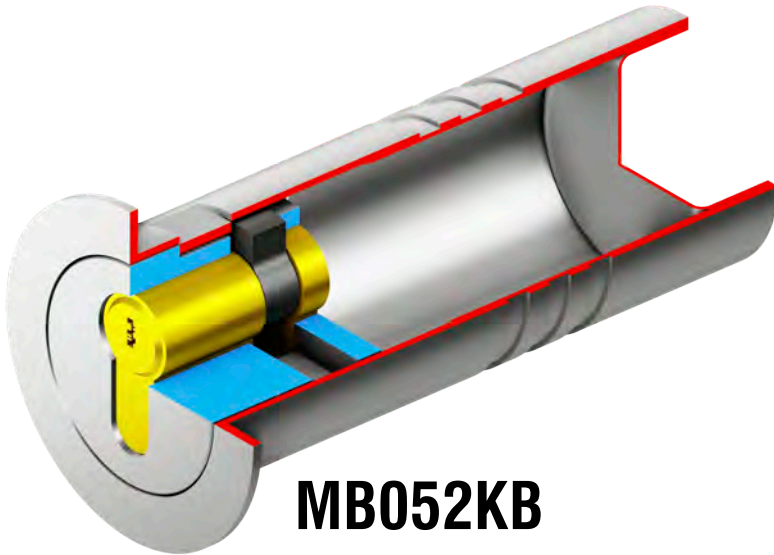


30/10

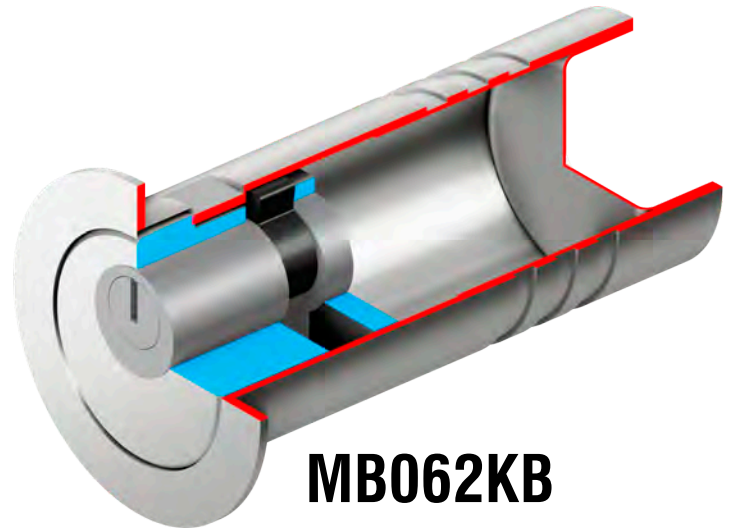


SEZIONE E-E

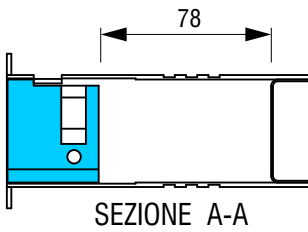




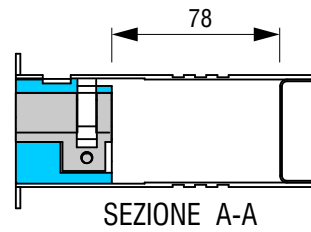
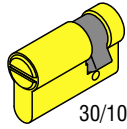
**MB052KB**



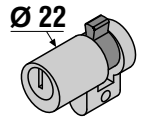
**MB062KB**



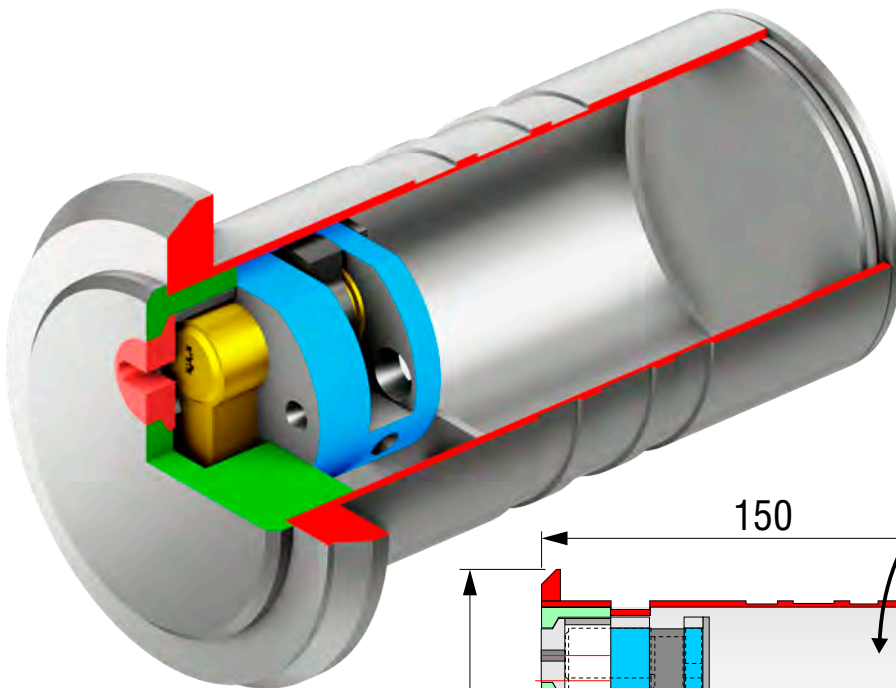
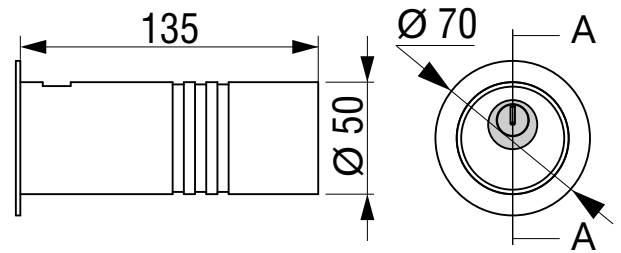
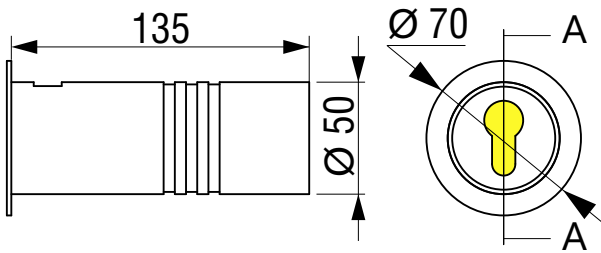
NON INCLUSO  
NOT INCLUDED  
MULTIPLE CAM



NON INCLUSO  
NOT INCLUDED  
MULTIPLE CAM

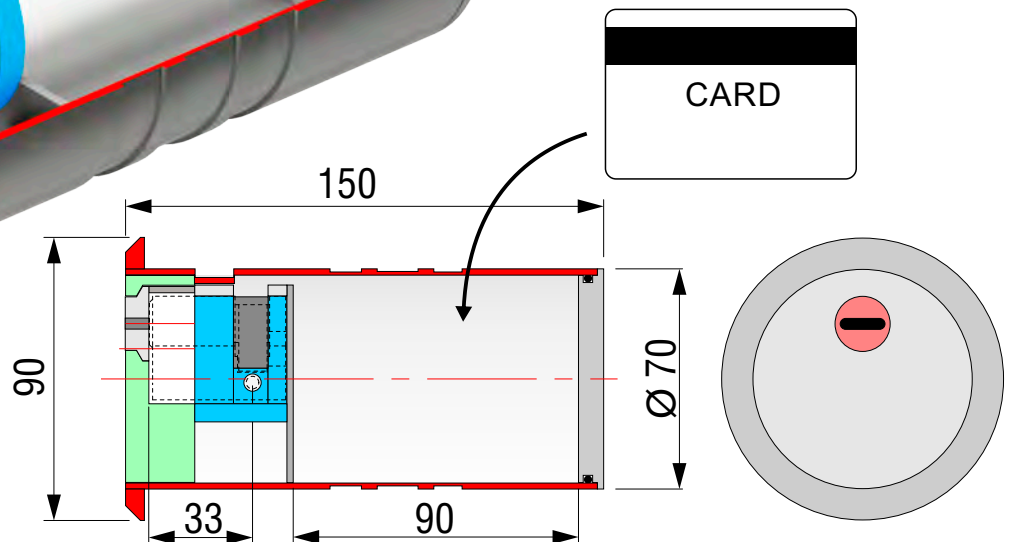
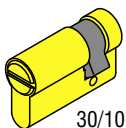


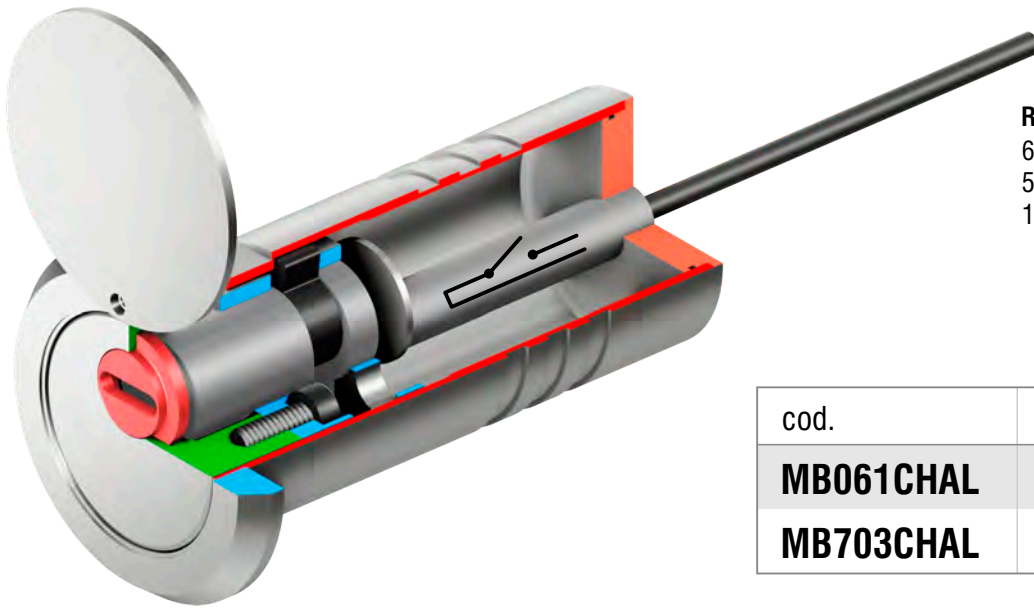
32.5/10



**MB70-150**

NON INCLUSO  
NOT INCLUDED  
MULTIPLE CAM



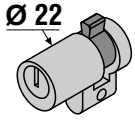


**REED SWITCH NA**

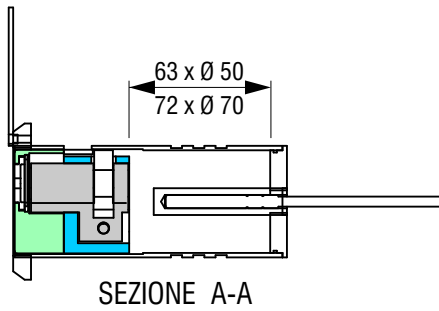
6 VA max  
500 mA max  
140 V max

	A	B	C
cod.	mm	mm	mm
<b>MB061CHAL</b>	115	Ø 50	Ø 70
<b>MB703CHAL</b>	125	Ø 70	Ø 90

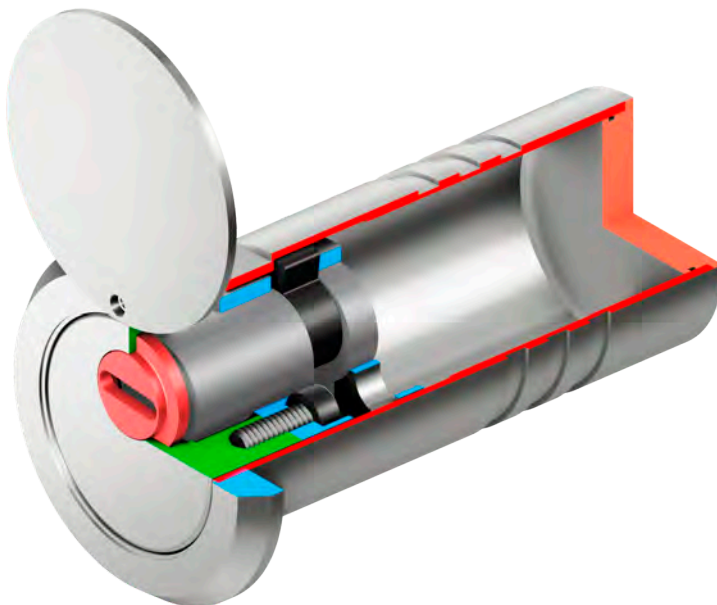
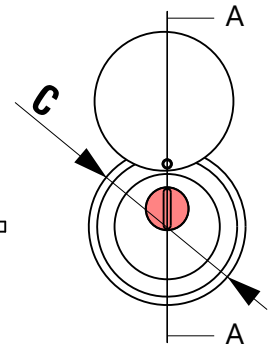
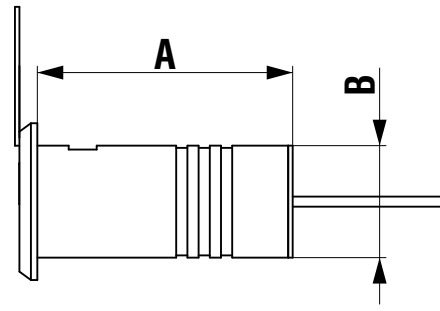
NON INCLUSO  
NOT INCLUDED  
MULTIPLE CAM



32.5/10



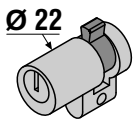
SEZIONE A-A



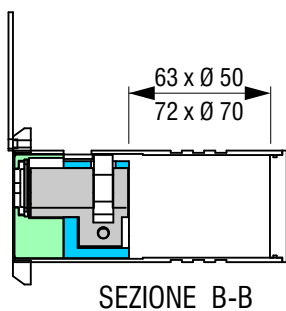
**A B C**

	A	B	C
cod.	mm	mm	mm
<b>MB061CH</b>	115	Ø 50	Ø 70
<b>MB703CH</b>	125	Ø 70	Ø 90

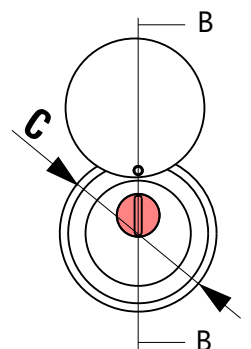
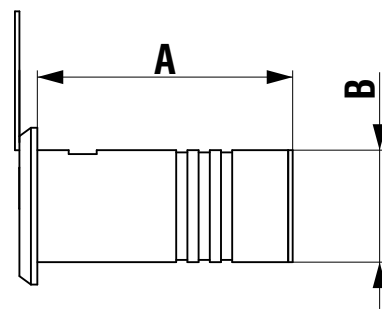
NON INCLUSO  
NOT INCLUDED  
MULTIPLE CAM

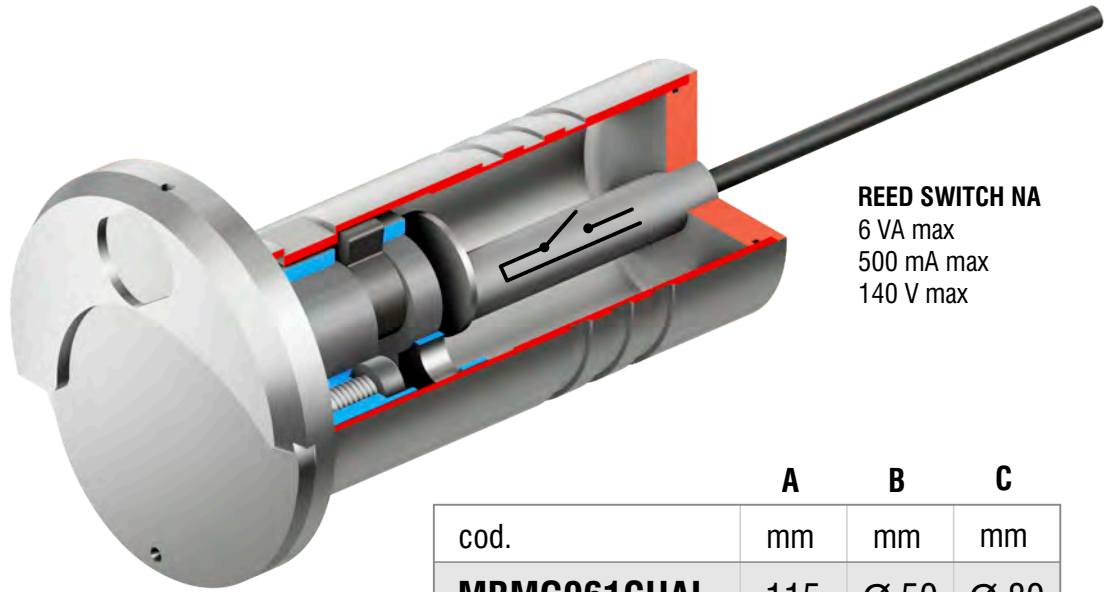


32.5/10



SEZIONE B-B

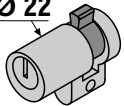




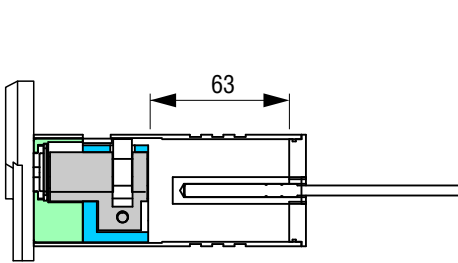
**REED SWITCH NA**  
6 VA max  
500 mA max  
140 V max

	A	B	C
cod.	mm	mm	mm
<b>MBMG061CHAL</b>	115	Ø 50	Ø 80

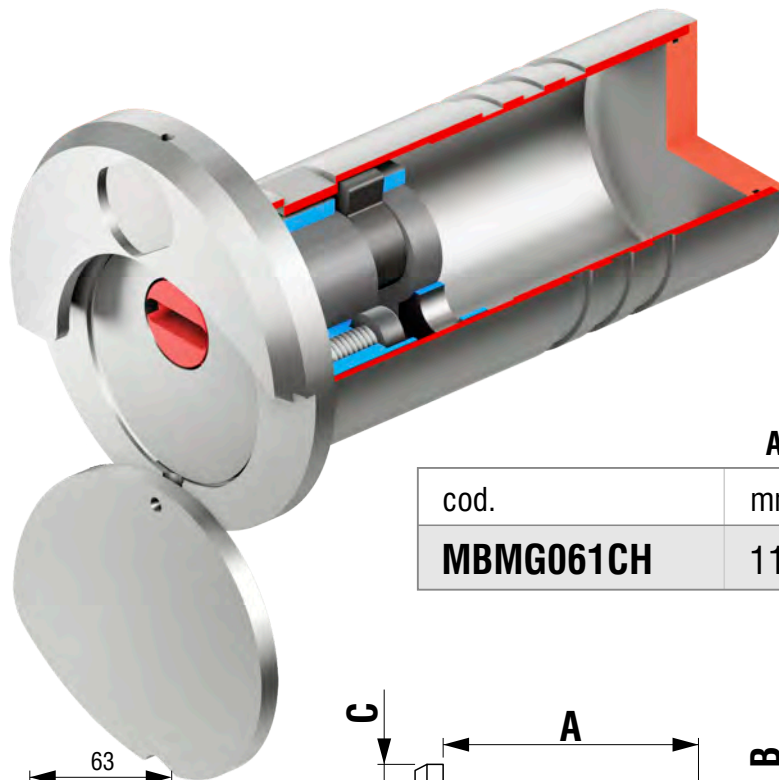
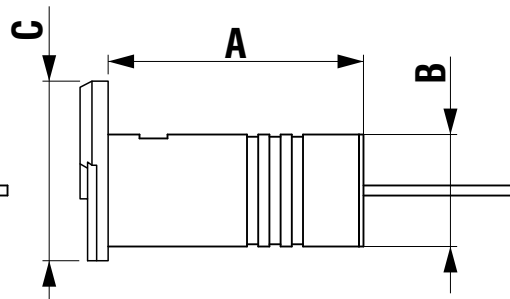
NON INCLUSO  
NOT INCLUDED  
MULTIPLE CAM  
Ø 22



32.5/10

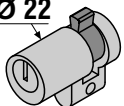


SEZIONE A-A

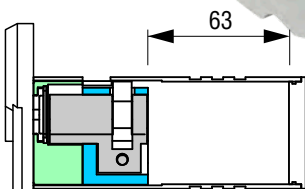


	A	B	C
cod.	mm	mm	mm
<b>MBMG061CH</b>	115	Ø 50	Ø 80

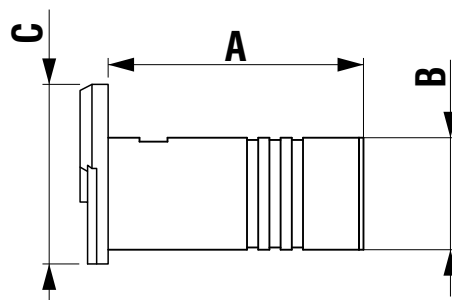
NON INCLUSO  
NOT INCLUDED  
MULTIPLE CAM  
Ø 22

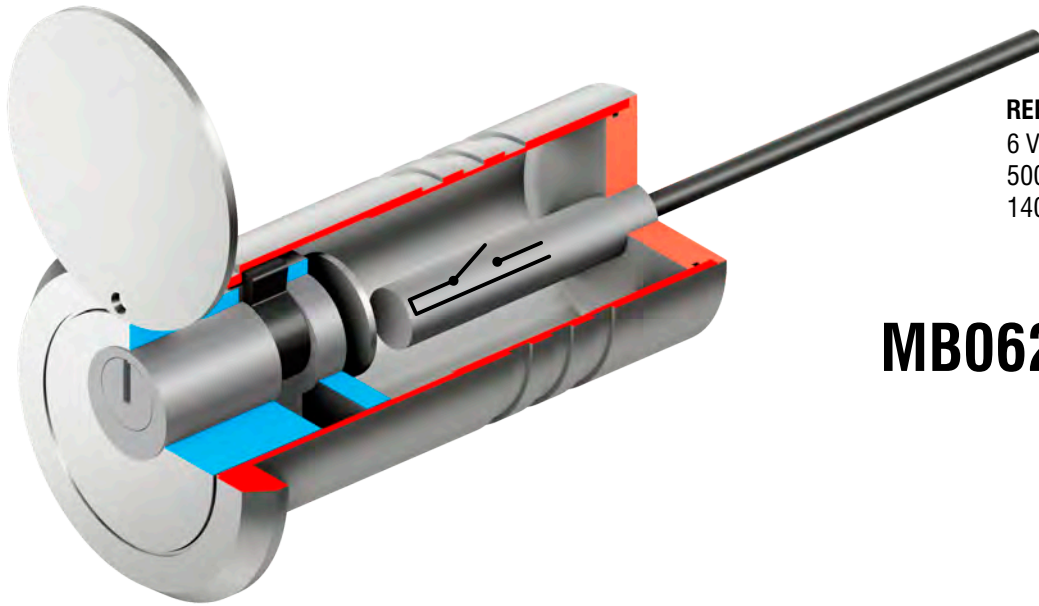


32.5/10



SEZIONE B-B

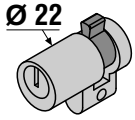




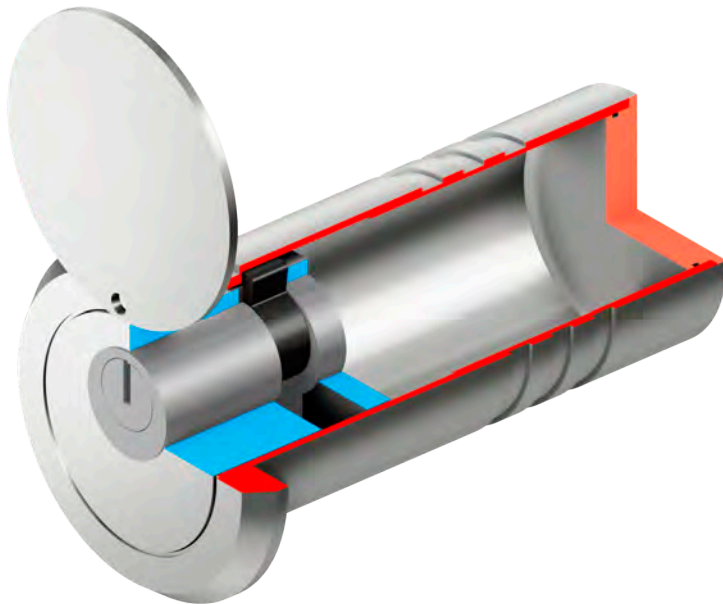
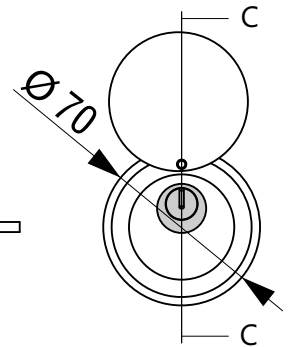
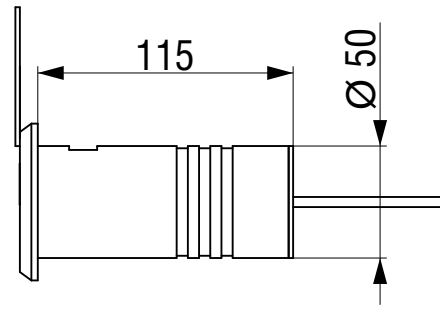
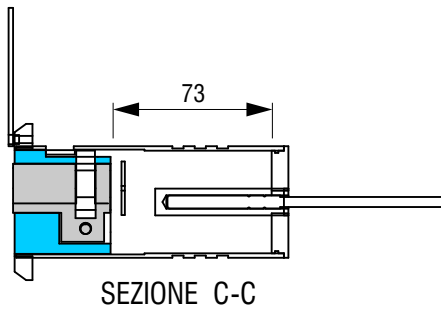
**REED SWITCH NA**  
6 VA max  
500 mA max  
140 V max

## MB062CHAL

NON INCLUSO  
NOT INCLUDED  
MULTIPLE CAM

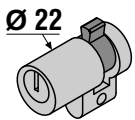


32.5/10

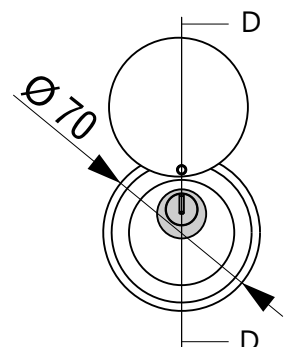
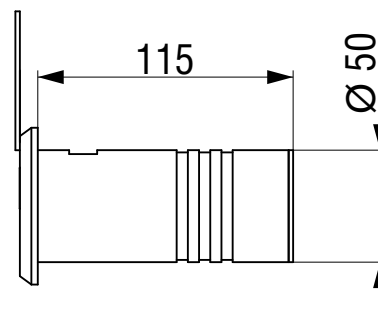
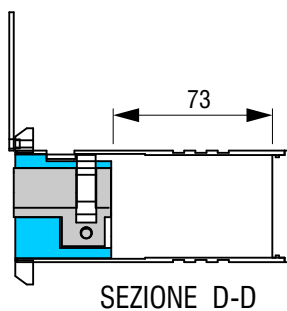


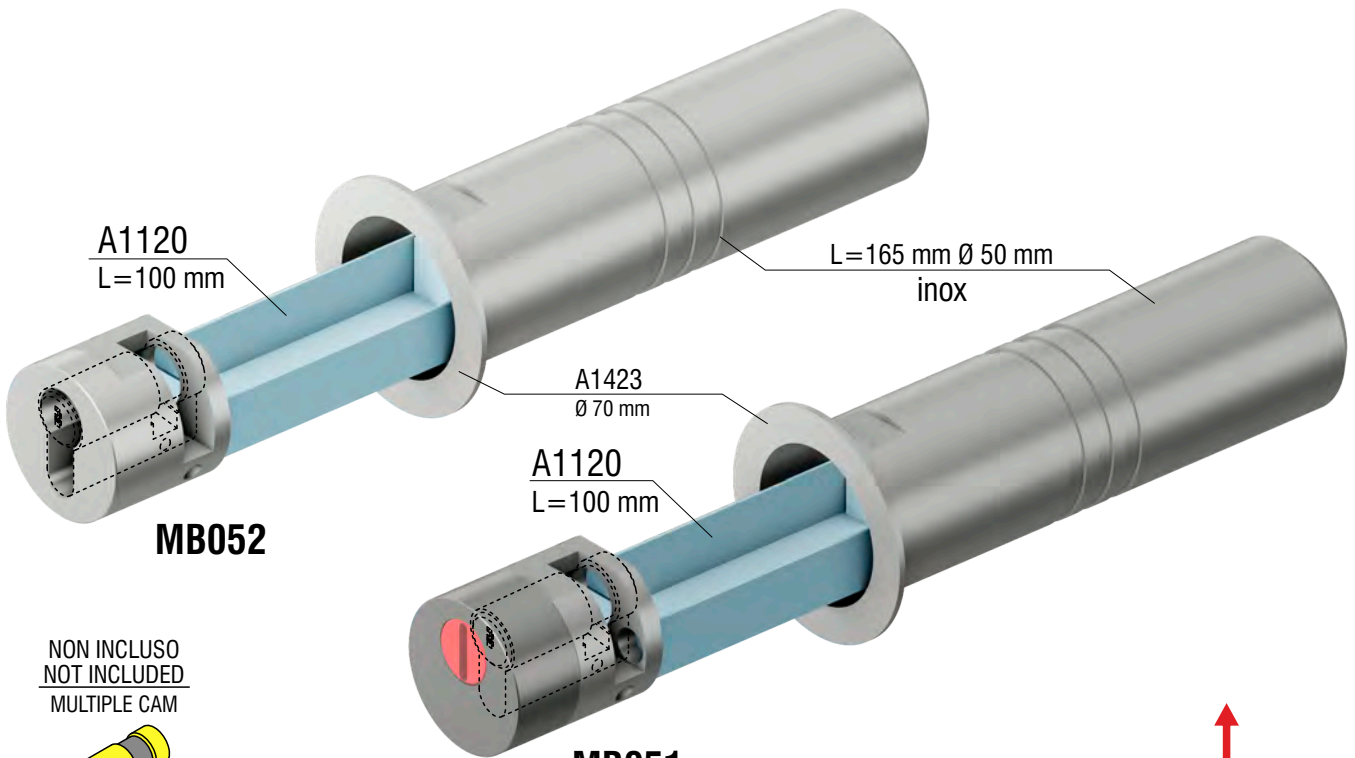
## MB062CH

NON INCLUSO  
NOT INCLUDED  
MULTIPLE CAM

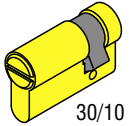


32.5/10



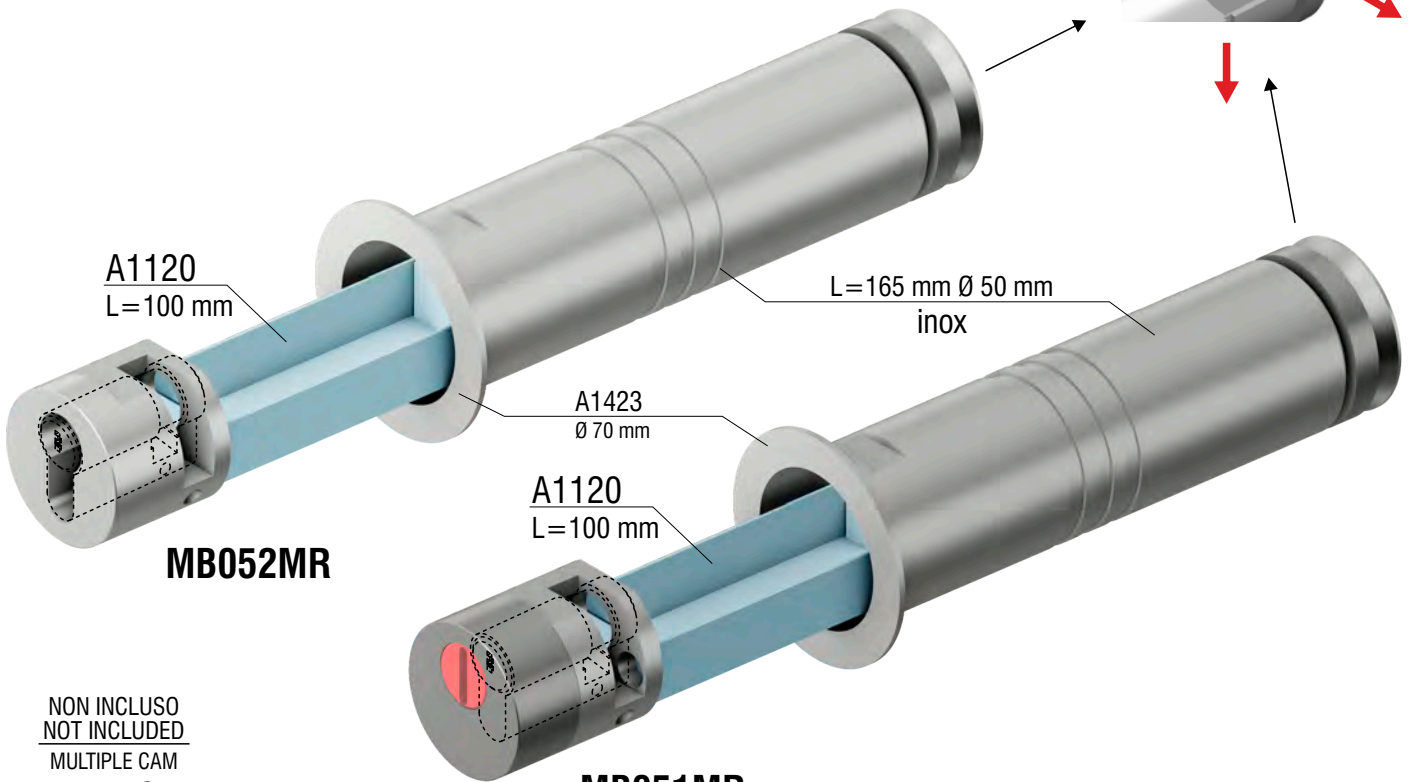
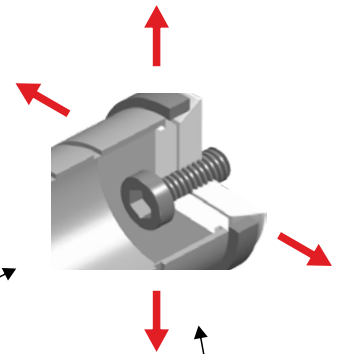


NON INCLUSO  
NOT INCLUDED  
MULTIPLE CAM

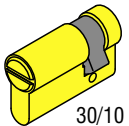


30/10

**MB051**



NON INCLUSO  
NOT INCLUDED  
MULTIPLE CAM



30/10

**MB051MR**