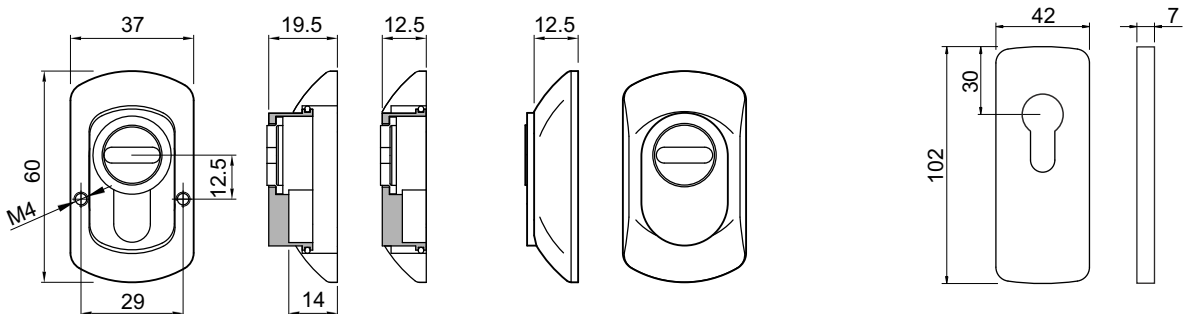
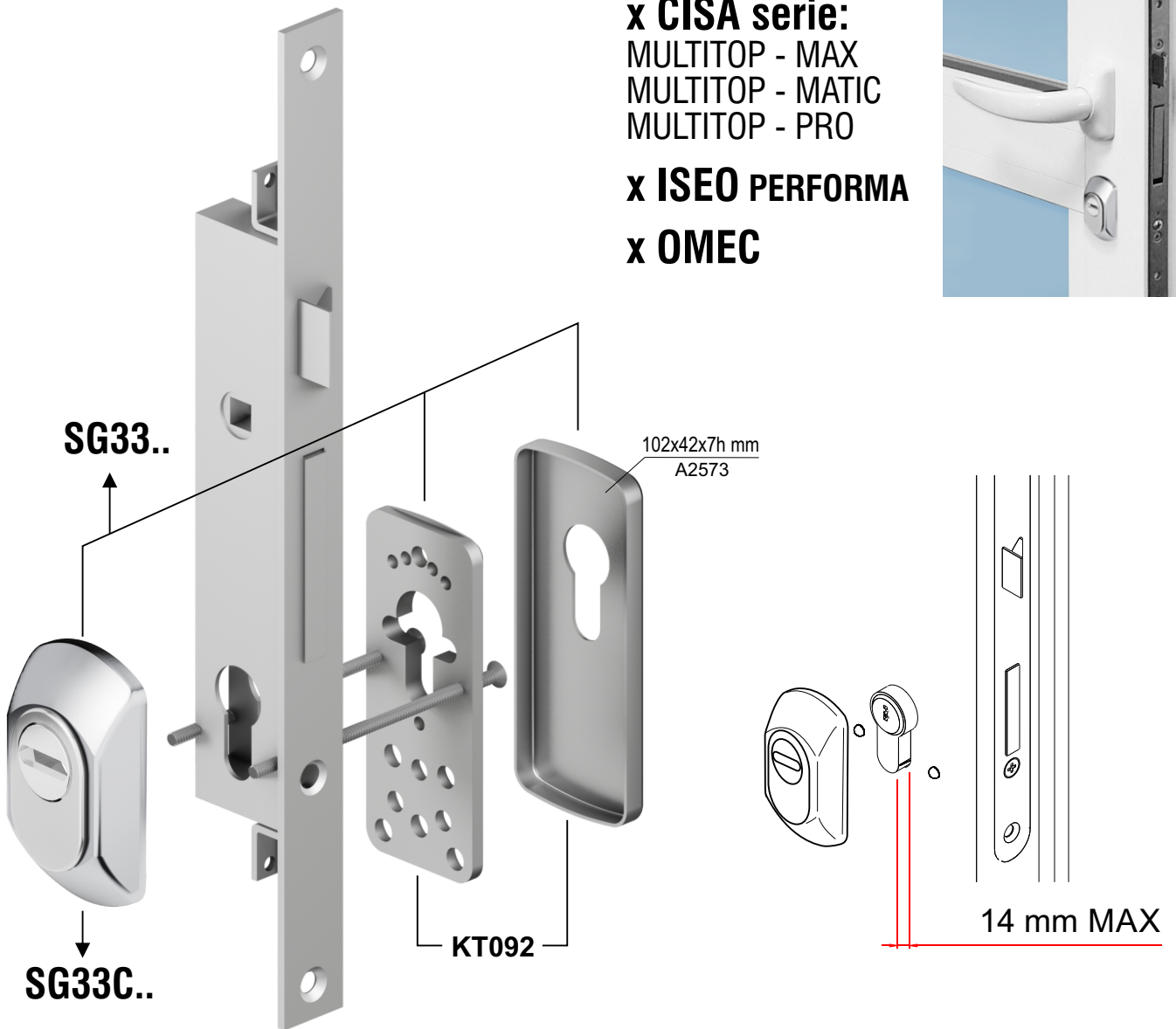




**x CISA serie:**  
MULTITOP - MAX  
MULTITOP - MATIC  
MULTITOP - PRO

**x ISEO PERFORMA**  
**x OMEC**



- |                                                                         |                                                                   |                                                                       |
|-------------------------------------------------------------------------|-------------------------------------------------------------------|-----------------------------------------------------------------------|
| <input type="checkbox"/> W Bianco Ral 9010<br>White Ral 9010            | <input checked="" type="checkbox"/> N Nero<br>Black               | <input type="checkbox"/> A Champagne anodizzato<br>Anodized champagne |
| <input checked="" type="checkbox"/> C Cromo lucido<br>Bright Chrome     | <input type="checkbox"/> 8 PVD Nero lucido<br>PVD Bright black    | <input type="checkbox"/> 9 Oro anodizzato<br>Anodized Gold            |
| <input checked="" type="checkbox"/> T Cromo satinato<br>Satin Chrome    | <input type="checkbox"/> T8 PVD Nero antracite<br>PVD Satin Black | <input checked="" type="checkbox"/> 2 PVD Ottone<br>PVD Brass         |
| <input type="checkbox"/> 6 Argento anodizzato<br>Anodized Silver        | <input type="checkbox"/> B Bronzo<br>Bronze                       | <input type="checkbox"/> L Ottone lucido<br>Bright Brass              |
| <input checked="" type="checkbox"/> IT Inox satinato<br>Stainless steel | <input type="checkbox"/> BS Bronzo satinato<br>Satin Bronze       | <input type="checkbox"/> TT Ottone satinato<br>Satin Brass            |

- |                    |             |      |
|--------------------|-------------|------|
| Standard<br>S1 3.5 | Dom<br>D1 5 | pag. |
|--------------------|-------------|------|