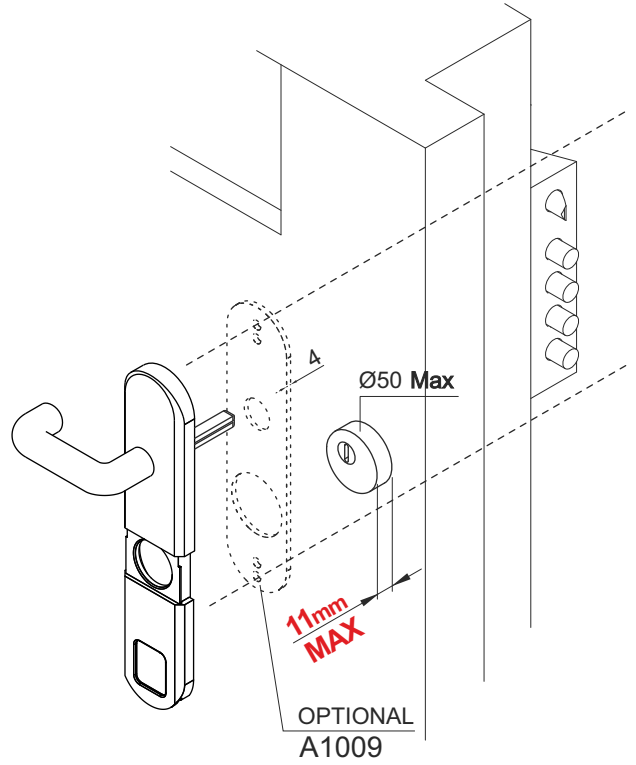




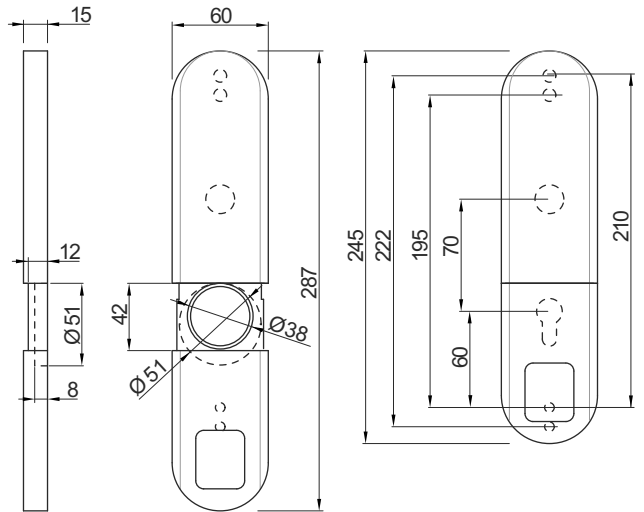
MG581F



MG571F



MG591F



COLORI DISPONIBILI / COLOURS AVAILABLE

- Cromo Satinato / Satin Chrome (T)
- PVD Ottone / PVD Brass (2)

SPORGENZE PROTETTE / PROTRUSIONS COVERED

- Max. 11 mm
- Ø50 Max

SPessori / SPACERS

- A1009 5mm
OPTIONAL