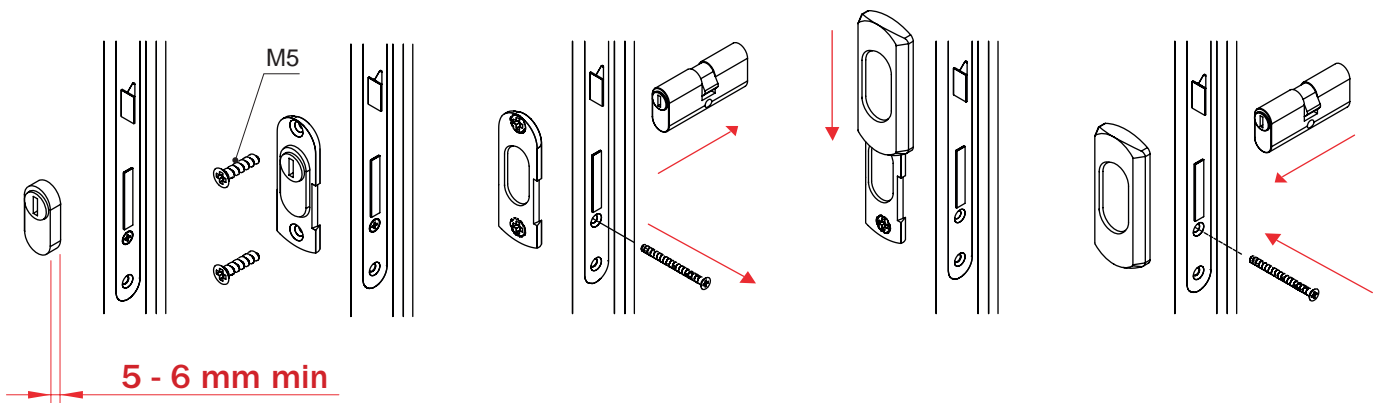
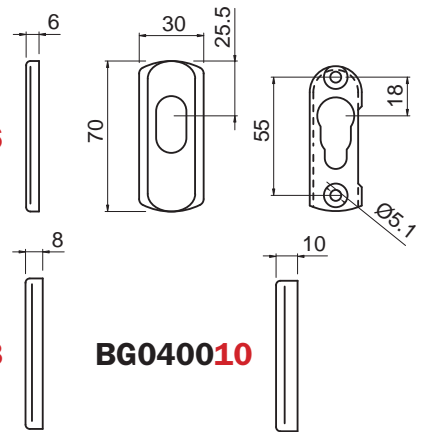


BG0400..

BG040006

BG040008

BG040010



Colori e finiture disponibili / Colors and finishes available

- | | | |
|---|--|--------------------------|
| C Cromo lucido / Bright Chrome | L Ottone lucido / Bright brass | B Bronzo / Bronze |
| T Cromo satinato / Satin Chrome | 9 Oro opaco verniciato / Varnished Mat Gold | N Nero / Black |
| W Bianco RAL9010 / White RAL9010 | 2 PVD Ottone / PVD Brass | |
| 6 Argento anodizzato / Anodized silver | A Champagne / Champagne | |

Imballo / Packaging



x 6